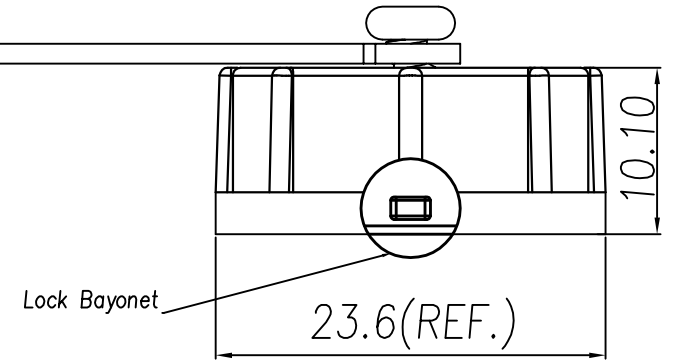
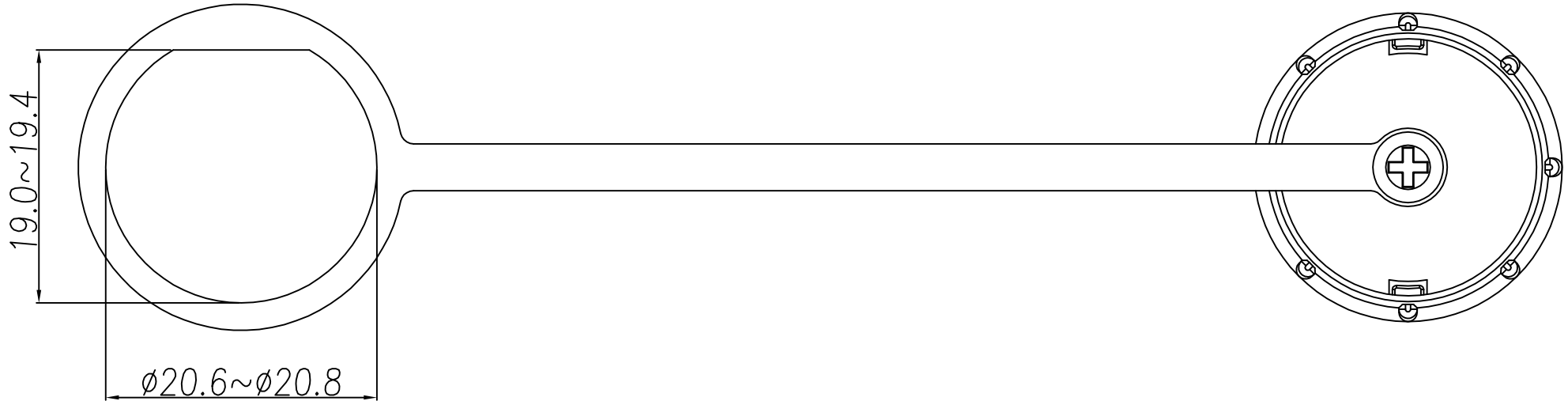


This document is the property of Nian-Yeong Corporation and is delivered on the express condition that it is not to be disclosed, reproduced or used, in whole or in part, for manufacture or sale by anyone other than Nian-Yeong Corporation without its prior consent, and that no right is granted to disclose or to use any information in this document.

CUSTOMER DRAWING

REV.	DESCRIPTION	APPVL. BY	DATE	ECN NO.
A	RELEASE	Ku Chou	10/08/20*	
B				
C				



1. MATERIAL :
- 1-1. CAP : PA66
  - 1-2. RUBBER LEAD : PVC
  - 1-3. GASKET : SILICON
  - 1-4. SCREW : STEEL

DRAWN	Emily Suen	APP'D	Ku Chou	UNIT	mm	TOLERANCE	 	 <b>NIAN YEONG ENTERPRISE</b> 年永實業有限公司	TITLE	C SIZE RJ45 Waterproof Cover (Lock Bayonet)			SHEET	
CHK'D	Ku Chou			SCALE	1:1	.x ±0.20 .xx ±0.10 .xxx ±0.05 .xxxx ±0.03 ANGULA ±1°			PART NO.	NY-WP1711-01	DWG NO.	QC9814	VERSION	