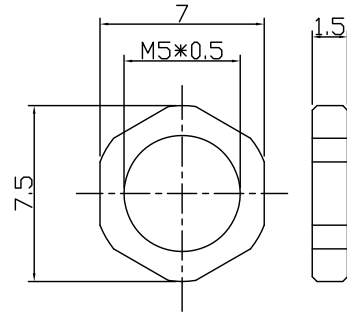
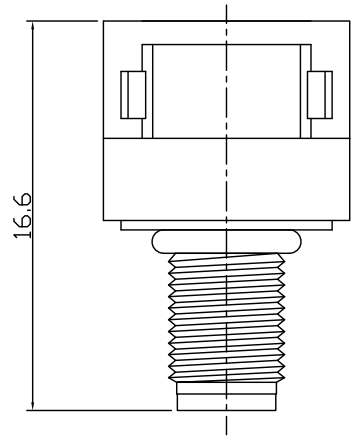


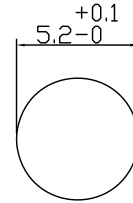
This document is the property of Nian-Yeong Corporation and is delivered on the express condition that it is not to be disclosed, reproduced or used, in whole or in part, for manufacture or sale by anyone other than Nian-Yeong Corporation without its prior consent, and that no right is granted to disclose or to use any information in this document.

CUSTOMER DRAWING

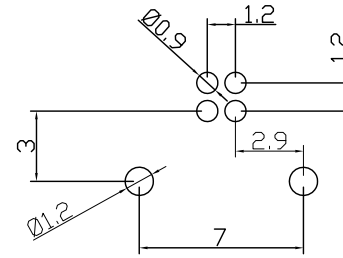
REV.	DESCRIPTION	APPROVED BY	DATE	ECN NO.
A	RELEASE	Fido Weng	22/12/08*	
B	增加料號		14/01/15*	
C				



NUT



PANEL CUT-OUT



P.C.B LAYOUT

NOTE:

- MATERIAL :
 - 1-1. HOUSING : PBT UL94V-0 ; COLOR : BLACK
 - 1-2. CONTACT : BRASS
 - 1-3. NUT : BRASS
 - 1-4. SHELL : BRASS
 - 1-5. O-RING : NBR ; COLOR : BLACK
 - 1-6. BACK HOUSING : PBT UL94V-0 ; COLOR : BLACK
 - 1-7. DOWN HOUSING : PBT UL94V-0 ; COLOR : BLACK
- FINISH :
 - 2-1. CONTACT : SEE TABLE A
 - 2-2. NUT : SEE TABLE A
 - 2-3. SHELL : SATIN NICKEL PLATED
- ELECTRICAL SPECIFICATION :
 - 3-1. Rated current : 1A
 - 3-2. Rated voltage : 60V
 - 3-3. Water proof: IP67
- Environmental :
 - 4-1. Operation Temperature : -20°C~85°C

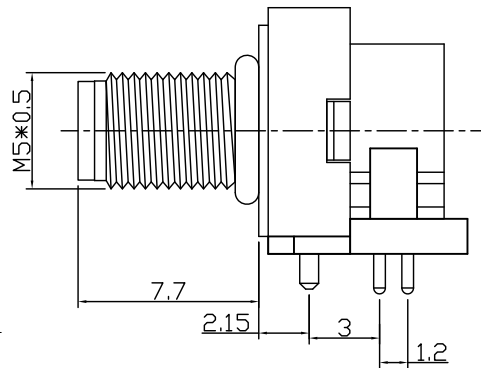
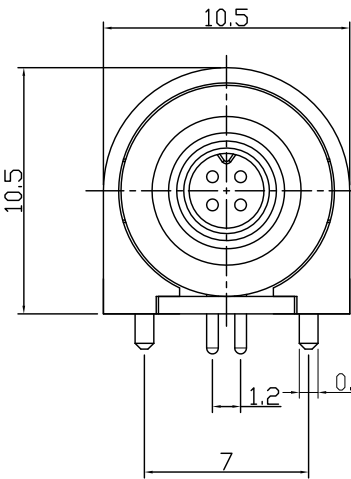


TABLE A

WP-04M2-144-11	GOLD FLASH	BLACK Cr
WP-04M2-118-11	GOLD 10u"	SATIN NICKEL
WP-03M2-61-11	GOLD 10u"	SATIN NICKEL
WP-02M2-42-11	GOLD 10u"	SATIN NICKEL
WP-04M2-54	GOLD FLASH	SATIN NICKEL
WP-03M2-46-11	GOLD FLASH	SATIN NICKEL
WP-02M2-34-11	GOLD FLASH	SATIN NICKEL
PART NO	CONTACT	NUT

DRAWN	Yeh Chou	APPEND	Emily Suen	UNIT	mm	TOLERANCE				TITLE	M5*0.5 (M) 90度板端			SHEET	1/1
CHK'D	Emily Suen	SCALE	1:1	ANGULA	±1°	PART NO.				SEE TABLE A	DWG NO.	QC5224	VERSION	B	