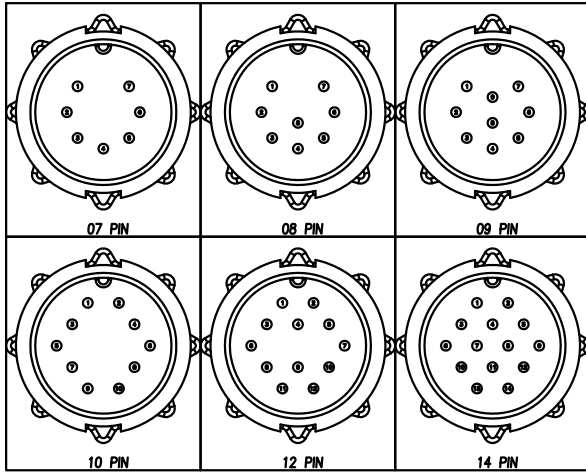


This document is the property of Nian-Yeong Corporation and is delivered on the express condition that it is not to be disclosed, reproduced or used, in whole or in part, for manufacture or sale by anyone other than Nian-Yeong Corporation without its prior consent, and that no right is granted to disclose or to use any information in this document.

CUSTOMER DRAWING

REV.	DESCRIPTION	APPROVED BY	DATE	ECN NO.
A	RELEASE	Ku Chou	20/11/18*	
B				
C				

TABLE A



Pin Assignments
Front View

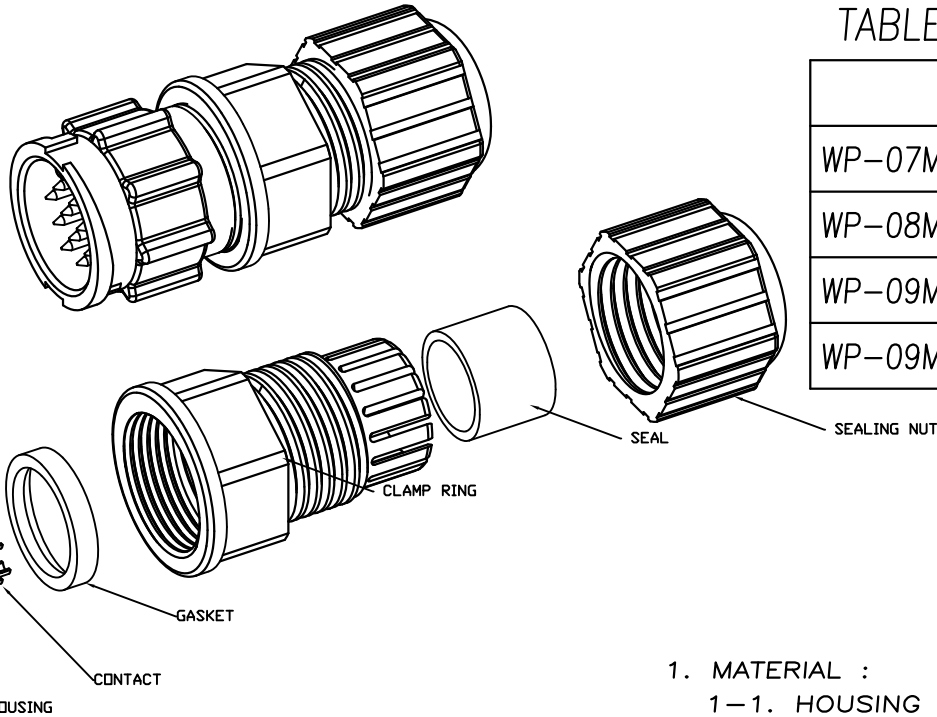
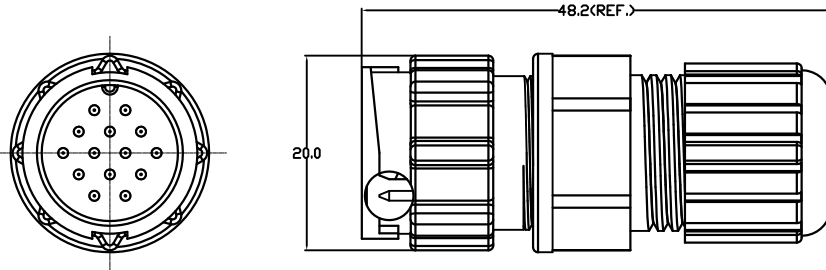


TABLE A

P/N	CABLE OD ϕ
WP-07M2-20-11	$\phi 6.5\text{mm} \sim \phi 7.6\text{mm}$
WP-08M2-104-11	$\phi 6.5\text{mm} \sim \phi 7.6\text{mm}$
WP-09M2-19-11	$\phi 6.5\text{mm} \sim \phi 7.6\text{mm}$
WP-09M2-22-11	$\phi 8.6\text{MM} \sim \phi 9.6\text{MM}$



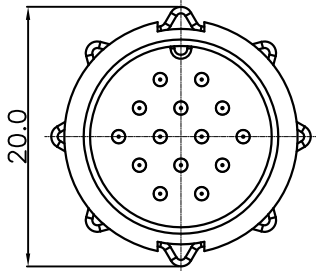
- MATERIAL :
 - HOUSING : PA66
 - CONTACT : BRASS
 - GASKET : SILICONE
 - CLAMP RING : PA66
 - SEAL : SILICONE
 - SEALING NUT : PA66
- FINISH :
 - CONTACT : GOLD FLASH PLATED.
- ELECTRICAL SPECIFICATION :
 - Rated current : 5A
 - Rated Voltage : 250V
 - Water proof : IP67
- Environmental :
 - Operation Temperature : $-40^{\circ}\text{C} \sim 105^{\circ}\text{C}$

DRAWN	Emily Suen	APP'D	Ku Chou	UNIT	mm	TOLERANCE		NIAN YEONG ENTERPRISE 年永實業有限公司	TITLE	WP M CONN. M PIIN C SIZE ASSEMBLY TYPE(LOCK)-5A			SHEET	1/2
CHK'D	Ku Chou			SCALE	1:1	.x ± 0.20 .xx ± 0.10 .xxx ± 0.05 .xxxx ± 0.03 ANGULAR $\pm 1^{\circ}$			PART NO.	SEE TABLE A	DWG NO.	QC9737	VERSION	A

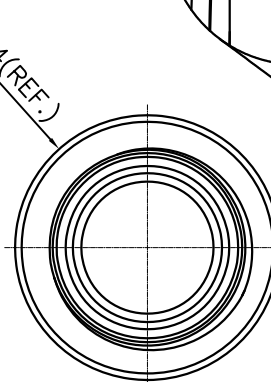
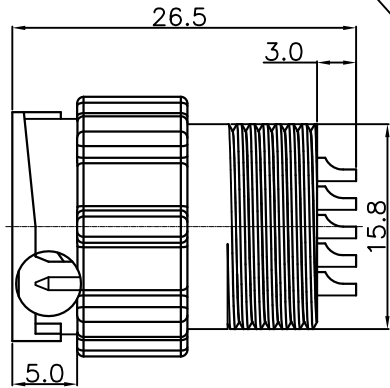
This document is the property of Nian-Yeong Corporation and is delivered on the express condition that it is not to be disclosed, reproduced or used, in whole or in part, for manufacture or sale by anyone other than Nian-Yeong Corporation without its prior consent, and that no right is granted to disclose or to use any information in this document.

CUSTOMER DRAWING

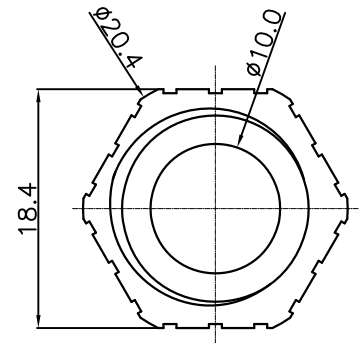
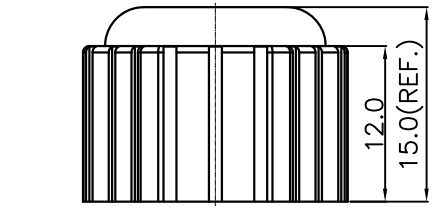
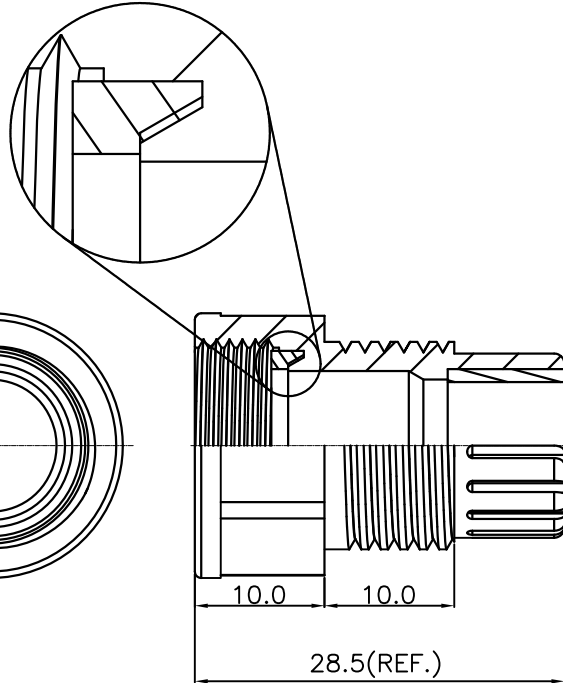
REV.	DESCRIPTION	APPROVED BY	DATE	ECN NO.
A	RELEASE	Ku Chou	20/11/18*	
B				
C				



HOUSING & CONTACT



CLAMP & GASKET & SEAL



SEALING NUT

DRAWN	Emily Suen	APP'D	Ku Chou	UNIT	mm	TOLERANCE		TITLE	WP M CONN. M PIIN C SIZE ASSEMBLY TYPE(LOCK)-5A			SHEET	2
CHK'D	Ku Chou			SCALE	1:1	.x ±0.20 .xx ±0.10 .xxx ±0.05 .xxxx ±0.03 ANGULAR ±1°		PART NO.	SEE TABLE A	DWG NO.	QC9737	VERSION	A

NIAN YEONG ENTERPRISE
年永實業有限公司