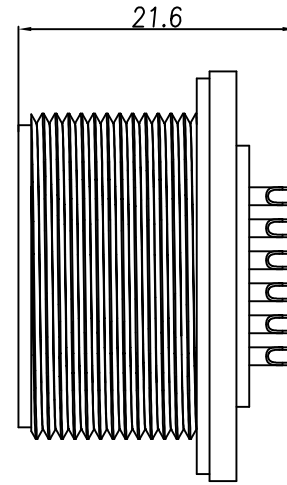
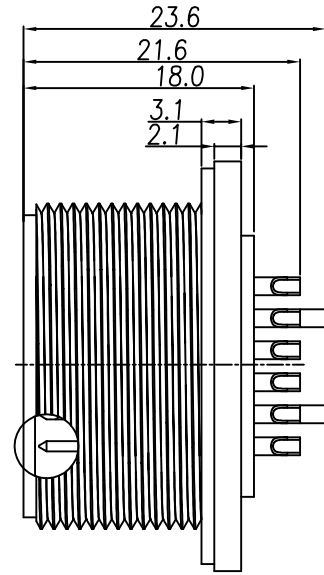
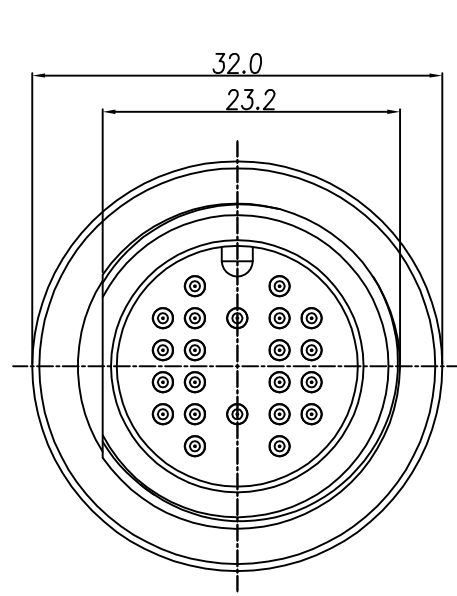


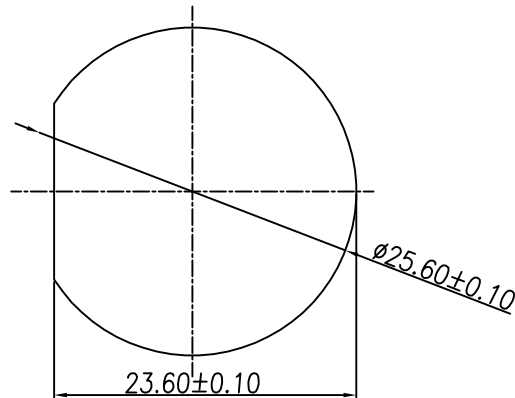
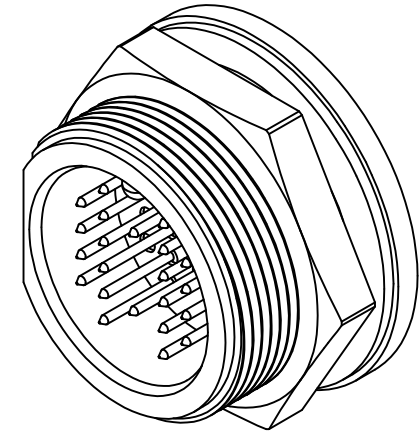
This document is the property of Nian-Yeong Corporation and is delivered on the express condition that it is not to be disclosed, reproduced or used, in whole or in part, for manufacture or sale by anyone other than Nian-Yeong Corporation without its prior consent, and that no right is granted to disclose or to use any information in this document.

CUSTOMER DRAWING

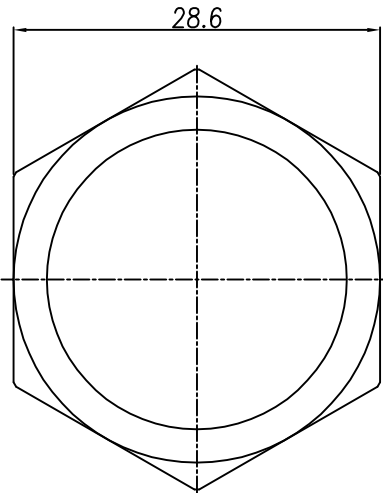
REV.	DESCRIPTION	APPROVED BY	DATE	ECN NO.
A	RELEASE	Ku Chou	22/04/20*	
B				
C				



20 PIN ONLY



RECOMMEND PANEL HOLE



Hex Nut



1. MATERIAL :
  - 1-1. HOUSING : PA66
  - 1-2. CONTACT : BRASS
  - 1-3. GASKET : SILICONE
  - 1-4. HEX NUT : PA66
2. FINISH :
  - 2-1. CONTACT : GOLD FLASH PLATED
3. ELECTRICAL SPECIFICATION :
  - 3-1. Rated current : 2A
  - 3-2. Rated Voltage : 300V
4. Environmental :
  - 4-1. Operation Temperature : -40℃~105℃

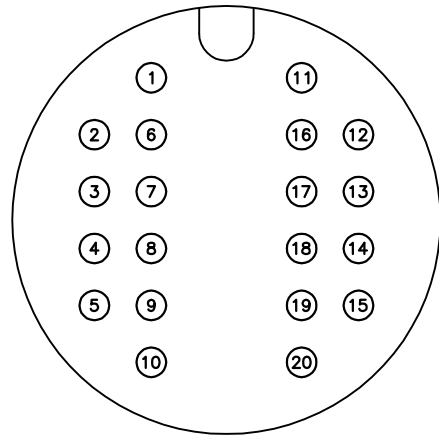
DRAWN	Enily Suen	APP'D	KU Chou	UNIT	mm	TOLERANCE		TITLE	WP D Size(M Conn. M PIN) Front Fastened(Screw Thread)-Circular			SHEET
CHK'D	KU Chou			SCALE	1:1	.x ±0.20 .xx ±0.10 .xxx ±0.05 .xxxx ±0.03 ANGULA ±1°		PART NO.	SEE TABLE A	DWG NO.	QC9697	1/2
								NIAN YEONG ENTERPRISE 年永實業有限公司			VERSION	A

This document is the property of Nian-Yeong Corporation and is delivered on the express condition that it is not to be disclosed, reproduced or used, in whole or in part, for manufacture or sale by anyone other than Nian-Yeong Corporation without its prior consent, and that no right is granted to disclose or to use any information in this document.

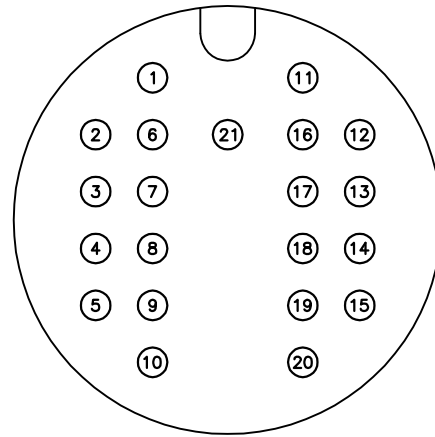
CUSTOMER DRAWING

REV.	DESCRIPTION	APPROVED BY	DATE	ECN NO.
A	RELEASE	Ku Chou	22/04/20*	
B				
C				

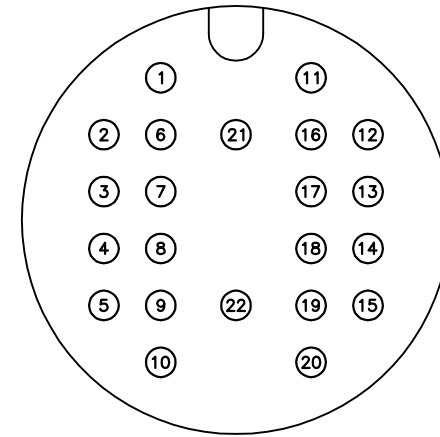
TABLE A



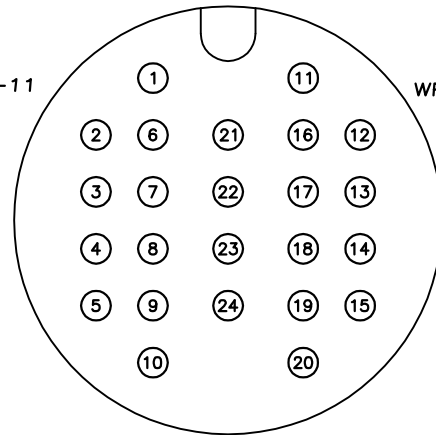
20P  
WP-20M2-02-11



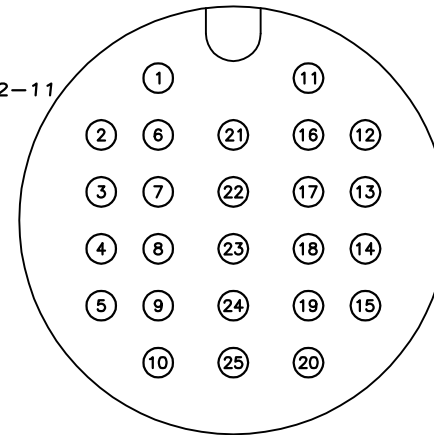
21P  
WP-21M2-02-11



22P  
WP-22M2-02-11



24P  
WP-24M2-02-11



25P  
WP-25M2-02-11

PIN CONFIGURATION

DRAWN	Enly Suen	APP'D	KU Chou	UNIT	mm	TOLERANCE				TITLE	WP D Size(M Conn. M PIN) Front Fastened(Screw Thread)-Circular			SHEET	2/2
CHK'D	KU Chou	SCALE	1:1	.x ±0.20 .xx ±0.10 .xxx ±0.05 .xxxx ±0.03 ANGULA ±1°	PART NO.	SEE TABLE A				DWG NO.	QC9697	VERSION	A		

NIAN YEONG ENTERPRISE  
年永實業有限公司