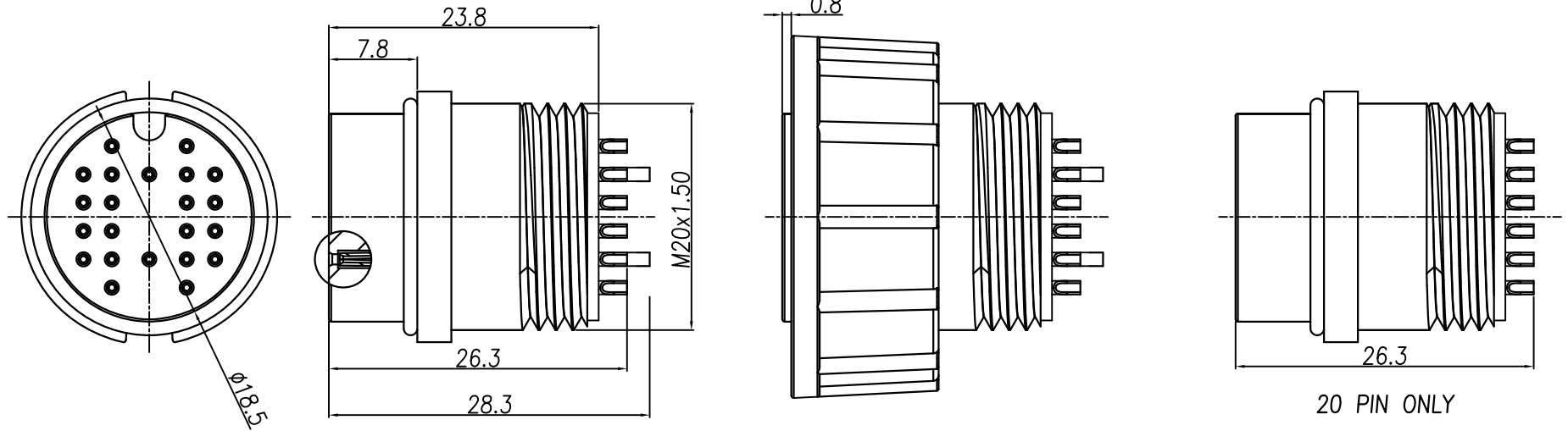


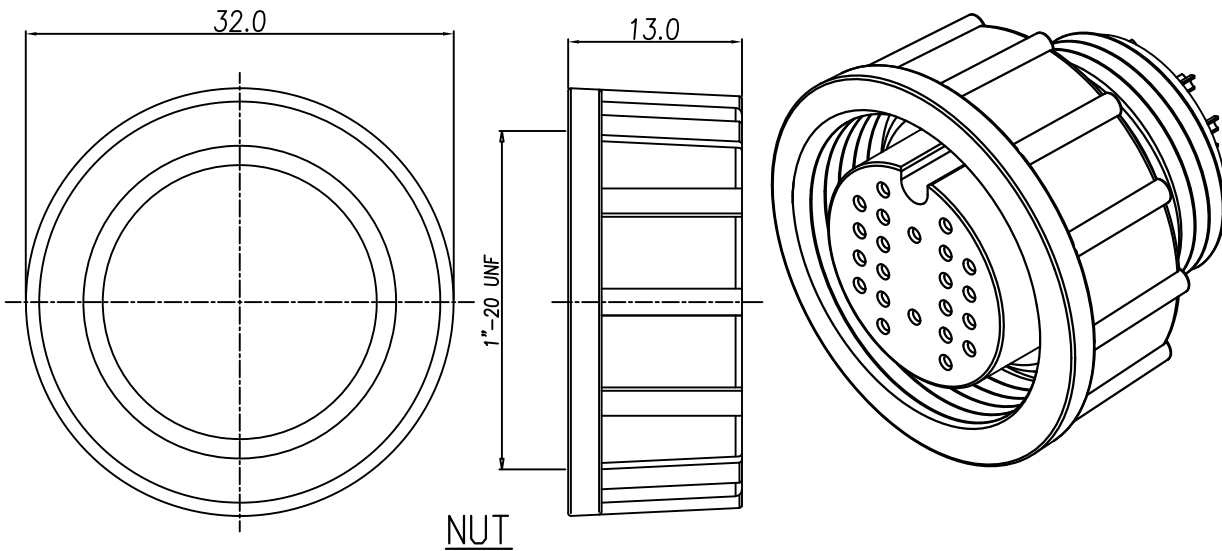
This document is the property of Nian-Yeong Corporation and is delivered on the express condition that it is not to be disclosed, reproduced or used, in whole or in part, for manufacture or sale by anyone other than Nian-Yeong Corporation without its prior consent, and that no right is granted to disclose or to use any information in this document.

CUSTOMER DRAWING

REV.	DESCRIPTION	APPROVED BY	DATE	ECN NO.
A	RELEASE	KU Chou	22/04/20*	
B				
C				
D				



ASS'Y



NUT

- MATERIAL :
 - HOUSING : PA66 UL94V-0 ; COLOR : BLACK
 - CONTACT : BRASS
 - O-RING : SILICONE
 - NUT : PA66 UL94V-0 ; COLOR : BLACK
- FINISH :
 - CONTACT : GOLD FLASH PLATED
- ELECTRICAL SPECIFICATION :
 - RATED CURRENT: 2A
 - RATED VOLTAGE : 300V
 - WATER PROOF: IP67
- ENVIRONMENTAL :
 - OPERATION TEMPERATURE : -20°C~80°C

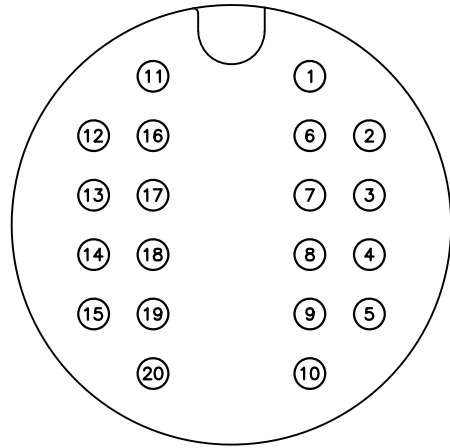
DRAWN	Emily Suen	APP'D	KU Chou	UNIT	mm	TOLERANCE		TITLE	WP D Size(F Conn. F PIN) Molded with Cabl(Screw Thread)			SHEET
CHK'D	KU Chou			SCALE	1:1	.x ±0.20 .xx ±0.10 .xxx ±0.05 .xxxx ±0.03 ANGULA ±1°		NIAN YEONG ENTERPRISE 年永實業有限公司	PART NO.	SEE TABLE A	DWG NO.	QC9694

This document is the property of Nian-Yeong Corporation and is delivered on the express condition that it is not to be disclosed, reproduced or used, in whole or in part, for manufacture or sale by anyone other than Nian-Yeong Corporation without its prior consent, and that no right is granted to disclose or to use any information in this document.

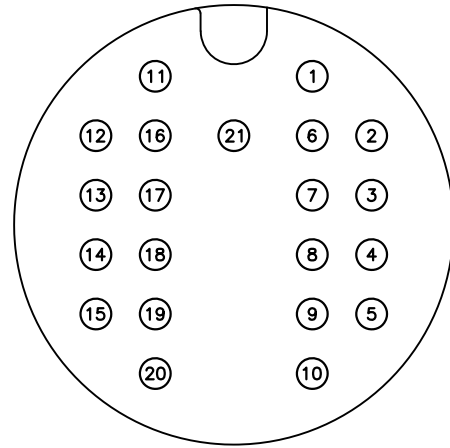
CUSTOMER DRAWING

REV.	DESCRIPTION	APPROVED BY	DATE	ECN NO.
A	RELEASE	KU Chou	22/04/20*	
B				
C				
D				

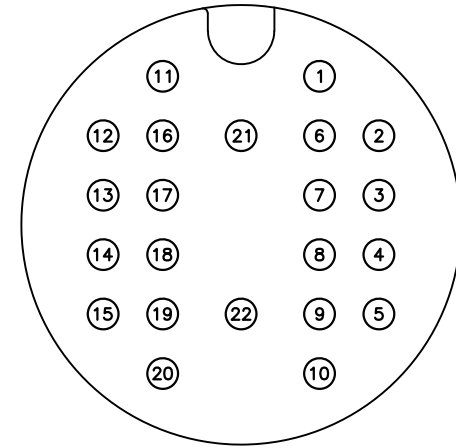
TABLE A



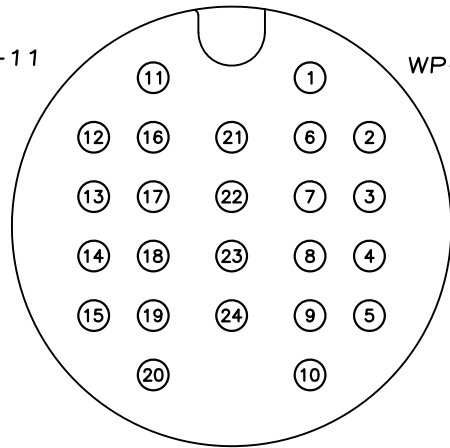
20P
WP-20F2-04-11



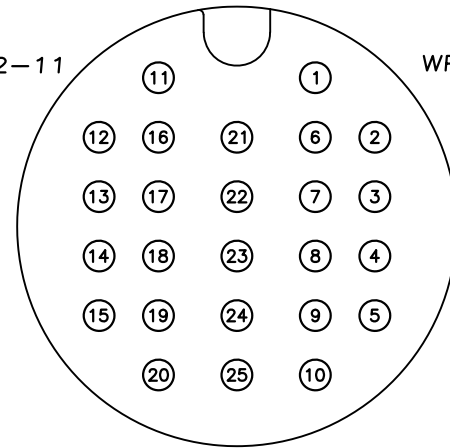
21P
WP-21F2-02-11



22P
WP-22F2-02-11



24P
WP-24F2-02-11



25P
WP-25F2-02-11

PIN CONFIGURATION

DRAWN	Emily Suen	APP'D	KU Chou	UNIT	mm	TOLERANCE				TITLE	WP D Size(F Conn. F PIN) Molded with Cabi(Screw Thread)			SHEET	2
CHK'D	KU Chou	SCALE	1:1	TOLERANCE	.x ±0.20 .xx ±0.10 .xxx ±0.05 .xxxx ±0.03 ANGULA ±1°	PART NO.				SEE TABLE A	DWG NO.	QC9694	VERSION	A	

NIAN YEONG ENTERPRISE
年永實業有限公司