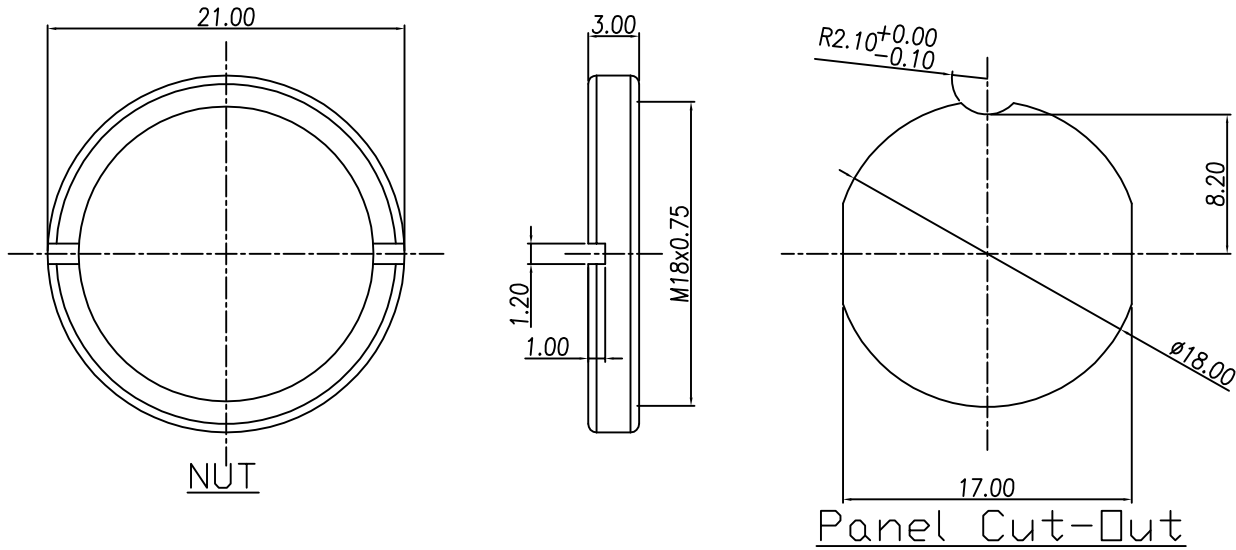
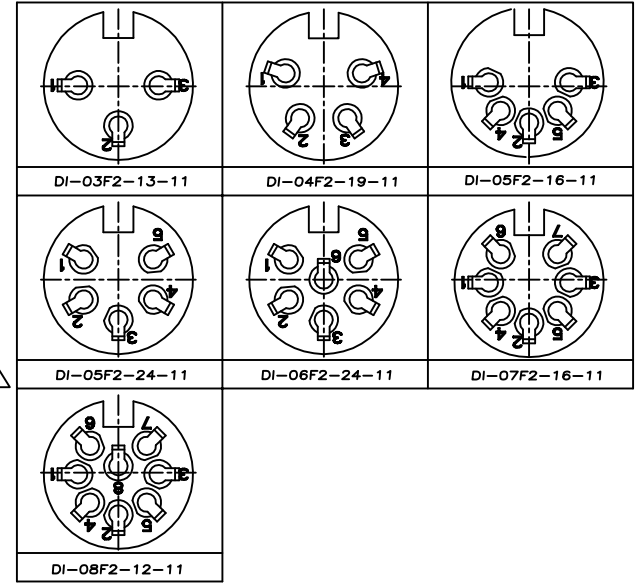
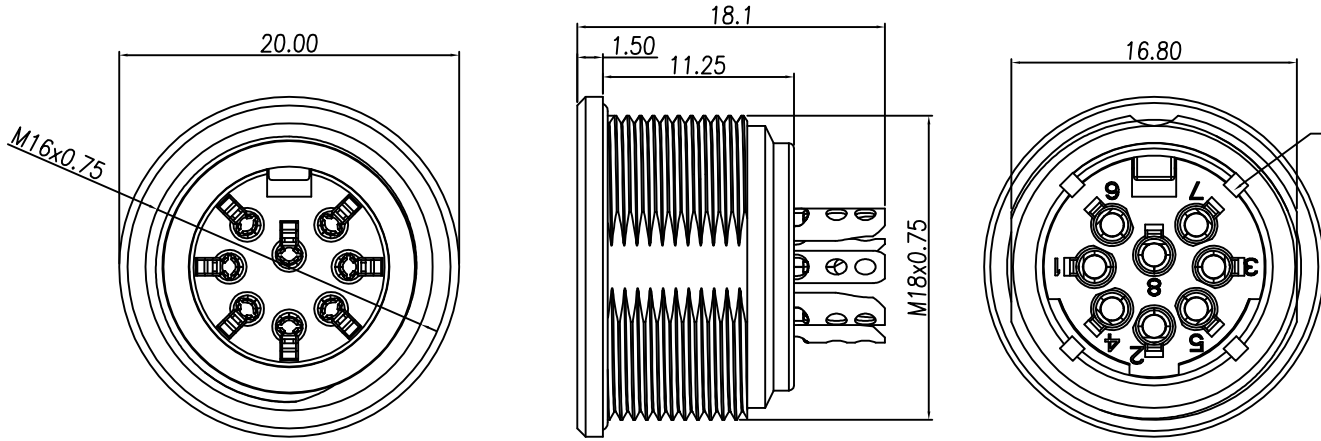


This document is the property of Nian-Yeong Corporation and is delivered on the express condition that it is not to be disclosed, reproduced or used, in whole or in part, for manufacture or sale by anyone other than Nian-Yeong Corporation without its prior consent, and that no right is granted to disclose or to use any information in this document.

CUSTOMER DRAWING

REV.	DESCRIPTION	APPVL. BY	DATE	ECN NO.
A	RELEASE	Yeh Chou		
B	ADD PART NO.	Leo	2019/04/03	
C				



1. MATERIAL :
  - 1-1. HOUSING : NYLON UL94V-0 ; COLOR : BLACK
  - 1-2. CONTACT : PHOSPHOR BRONZE
  - 1-3. SHELL : Zn ALLOY
  - 1-4. O-RING : EPDM ; COLOR : BLACK.
  - 1-5. NUT : BRASS
2. FINISH :
  - 2-1. CONTACT : GOLD FLASH MICRO INCHES MIN.
  - 2-2. NUT : NICKEL PLTAE.
  - 2-3. SHELL : NICKEL PLTAE.
3. ELECTRICAL SPECIFICATION :
  - 3-1. Rated current(40°C) : 5A
  - 3-2. Rated Voltage : 250V
  - 3-3. Water proof : IP67 (in mated condition)
4. Environmental :
  - 4-1. Operation Temperature : -40°C~85°C

DRAWN	Yeh Chou	APP'D	Ku Chou	UNIT	mm	TOLERANCE		 <b>NIAN YEONG ENTERPRISE</b> 年永實業有限公司	TITLE	Din 8P Female receptacle for rear mounting			SHEET	 B
CHK'D	Ku Chou			SCALE	1:1	.x ±0.20 .xx ±0.10 .xxx ±0.05 .xxxx ±0.03 ANGULA ±1°			PART NO.	SEE TABLE A	DWG NO.	QC7926	VERSION	