

This document is the property of Nian-Yeong Corporation and is delivered on the express condition that it is not to be disclosed, reproduced or used, in whole or in part, for manufacture or sale by anyone other than Nian-Yeong Corporation without its prior consent, and that no right is granted to disclose or to use any information in this document.

CUSTOMER DRAWING

REV.	DESCRIPTION	APPROVED BY	DATE	ECN NO.
A	RELEASE	Fido Weng	28/12/09'	
B	MODIFY HOUSING COLOR	Fido Weng	24/03/16'	
C				

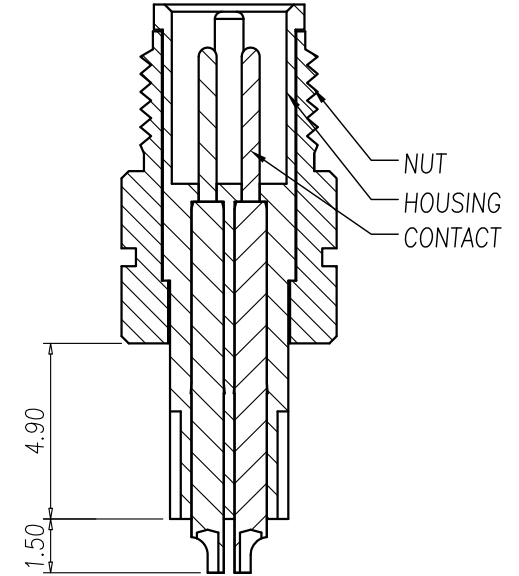
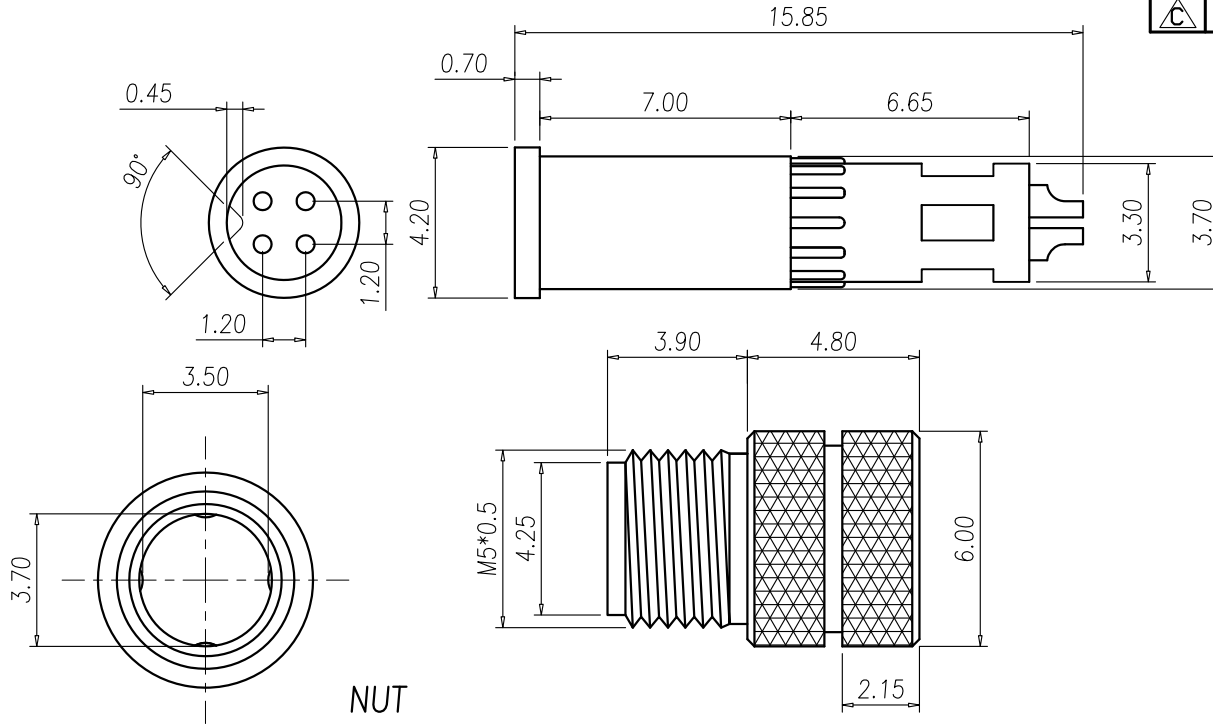
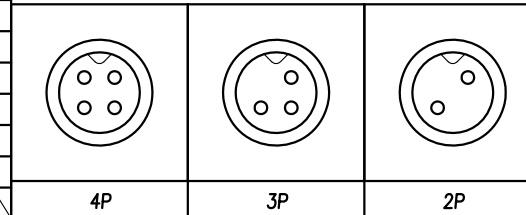


TABLE A

PART NO.	MATERIAL	NUT PLATED	CONTACT FINISH	HOUSING COLOR
WP-04M2-139-11	BRASS	BLACK Cr	GOLD 10u"	BLACK
WP-04M2-115-11	BRASS	Satin Nickel	GOLD 10u"	BLACK
WP-03M2-58-11	BRASS	Satin Nickel	GOLD 10u"	BLACK
WP-02M2-39-11	BRASS	Satin Nickel	GOLD 10u"	BLACK
WP-04M2-113-11	ALUMINUM	ANODIZING (YELLOW)	GOLD FLASH	YELLOW
WP-04M2-112-11	ALUMINUM	ANODIZING (GREEN)	GOLD FLASH	GREEN
WP-04M2-111-11	ALUMINUM	ANODIZING (RED)	GOLD FLASH	RED
WP-04M2-110-11	ALUMINUM	ANODIZING (BLACK)	GOLD FLASH	BLACK
WP-04M2-109-11	ALUMINUM	ANODIZING (BLUE)	GOLD FLASH	BLUE
WP-04M2-108-11	ALUMINUM	ANODIZING (NATURAL COLOR)	GOLD FLASH	WHITE
WP-02M2-20	BRASS	Satin Nickel	GOLD FLASH	BLACK
WP-03M2-18	BRASS	Satin Nickel	GOLD FLASH	BLACK
WP-04M2-74	BRASS	BLACK Cr	GOLD FLASH	BLACK
WP-04M2-38	BRASS	Satin Nickel	GOLD FLASH	BLACK



- MATERIAL :
 - HOUSING : TPU ; COLOR : SEE TABLE A
 - CONTACT : BRASS
 - NUT : SEE TABLE A
- FINISH :
 - CONTACT : SEE TABLE A
 - NUT : SEE TABLE A.
- ELECTRICAL SPECIFICATION :
 - Rated current : 1A
 - Rated Voltage : 60V
 - Water proof: IP67
- Environmental :
 - Operation Temperature : -40℃~85℃

DRAWN	Ku Chou	APP'D	Fido Weng	UNIT	mm	TOLERANCE	SCALE	1:1	ANGULA	±1°	TITLE	M5(M) 線端焊線式	SHEET	1		
CHK'D	Emily Suen					.x ±0.20 .xx ±0.10 .xxx ±0.05 .xxxx ±0.03 ANGULA ±1°					PART NO.	SEE TABLE A	DWG NO.	QC4591	VERSION	B

