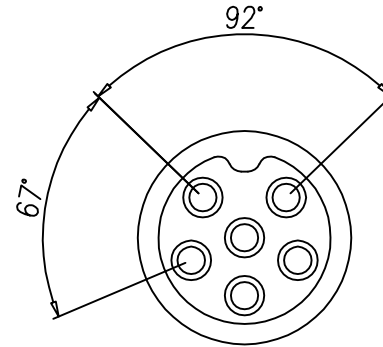
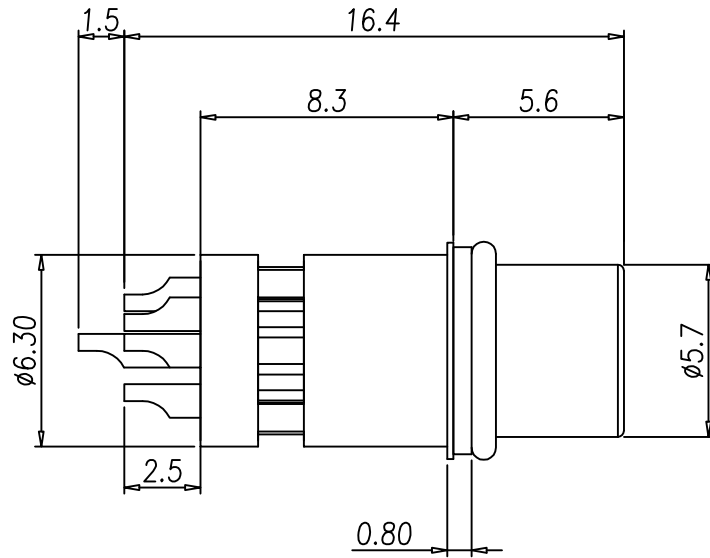


This document is the property of Nian-Yeong Corporation and is delivered on the express condition that it is not to be disclosed, reproduced or used, in whole or in part, for manufacture or sale by anyone other than Nian-Yeong Corporation without its prior consent, and that no right is granted to disclose or to use any information in this document.

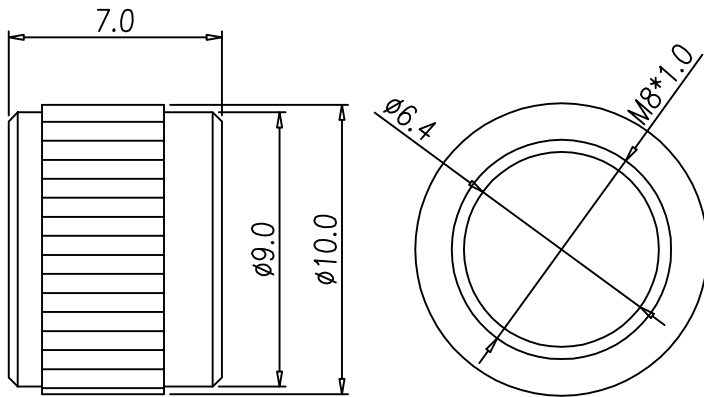
# CUSTOMER DRAWING

REV.	DESCRIPTION	APPVL. BY	DATE	ECN NO.
A	RELEASE	Fido	16/05/17*	
B				
C				



### NOTE

- MATERIAL :
  - HOUSING : PA66 UL94V-0 ; COLOR : BLACK
  - CONTACT : BRASS
  - NUT : SEE TABLE A
  - O-RING : NBR
  - SHELL : SEE TABLE A
- FINISH :
  - CONTACT : GOLD 10 MICRO INCHES MIN.
  - SHELL : SEE TABLE A
  - NUT : SEE TABLE A
- ELECTRICAL SPECIFICATION :
  - Rated current : 2A
  - Rated Voltage : 30V
  - Water proof : IP67
- Environmental :
  - Operation Temperature : -40°C~105°C



NUT

### TABLE A

5PIN		6PIN		
WP-05F2-193-11		WP-06F2-52-11 WP-06F2-53-11 WP-06F2-54-11		
WP-05F2-193-11	BRASS	NICKEL PLATED.	BRASS	NICKEL PLATED.
WP-06F2-52-11	Stainless steel 316	-	Stainless steel 316	-
WP-06F2-53-11	BRASS	NICKEL PLATED.	BRASS	NICKEL PLATED.
WP-06F2-54-11	Stainless steel 316	-	BRASS	NICKEL PLATED.
P/N	MATERIAL(NUT)	PLATED(NUT)	MATERIAL(SHELL)	PLATED(SHELL)

DRAW	Ku Chou	APPVL	Emily Suen	UNIT	mm	TOLERANCE			TITLE	M8 (F) 線端接地母線式(梅花型92°)			SHEET	
CHECK	Ku Chou			SCALE	1:1	ANGULA			±1°	PART NO.	SEE TABLE A	DWG NO.	QC7901	

NIAN YEONG ENTERPRISE  
年永實業有限公司