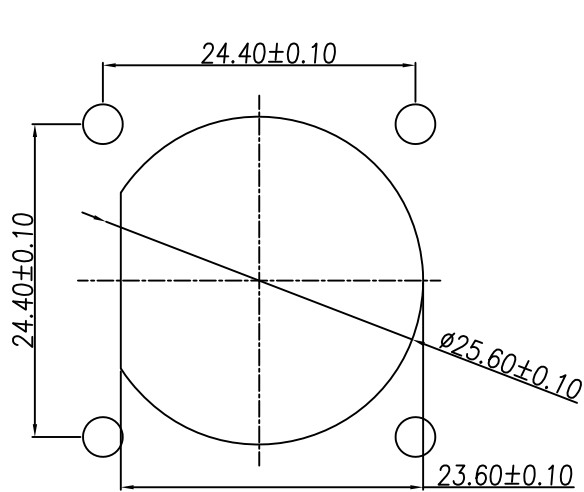
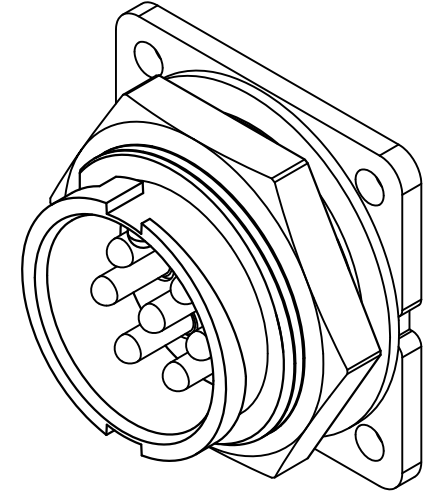
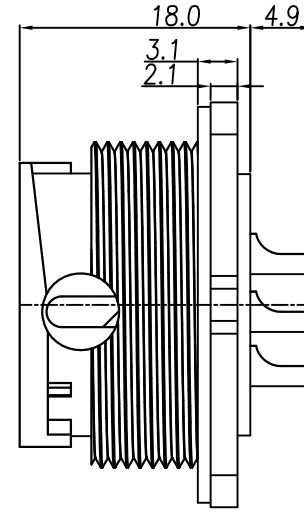
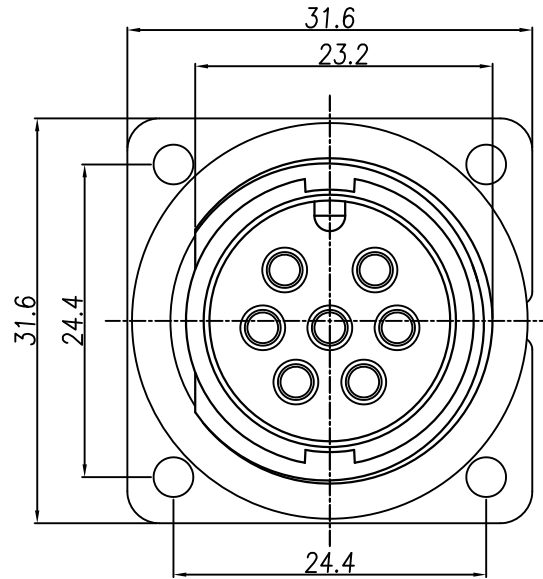


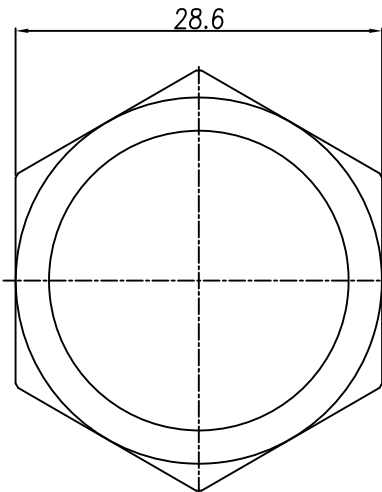
This document is the property of Nian-Yeong Corporation and is delivered on the express condition that it is not to be disclosed, reproduced or used, in whole or in part, for manufacture or sale by anyone other than Nian-Yeong Corporation without its prior consent, and that no right is granted to disclose or to use any information in this document.

CUSTOMER DRAWING

REV.	DESCRIPTION	APPROVED BY	DATE	ECN NO.
A	RELEASE	Ku Chou	02/05/18*	
B				
C				



RECOMMEND PANEL HOLE



Hex Nut



1. MATERIAL :
 - 1-1. HOUSING : PA66 UL94V-0 ; COLOR : BLACK
 - 1-2. CONTACT : BRASS
 - 1-3. GASKET : SILICONE
 - 1-4. HEX NUT : PA66 UL94V-0 ; COLOR : BLACK
2. FINISH :
 - 2-1. CONTACT : GOLD FLASH PLATED
3. ELECTRICAL SPECIFICATION :
 - 3-1. RATED CURRENT: 20A
 - 3-2. RATED VOLTAGE : 300V
 - 3-3. WATER PROOF: IP67
4. ENVIRONMENTAL :
 - 4-1. OPERATION TEMPERATURE : -40℃~105℃

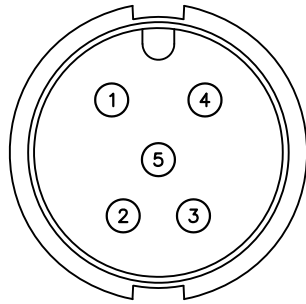
DRAWN	Yeh Chou	APP'D	KU Chou	UNIT	mm	TOLERANCE	 NIAN YEONG ENTERPRISE 年永實業有限公司	TITLE	D SIZE (M) 快鑽杯口焊線式 (方型插板)-20A			SHEET	1/2
CHK'D	KU Chou			SCALE	1:1	.x ±0.20 .xx ±0.10 .xxx ±0.05 .xxxx ±0.03 ANGULA ±1°		PART NO.	SEE TABLE A	DWG NO.	QC8388	VERSION	A

This document is the property of Nian-Yeong Corporation and is delivered on the express condition that it is not to be disclosed, reproduced or used, in whole or in part, for manufacture or sale by anyone other than Nian-Yeong Corporation without its prior consent, and that no right is granted to disclose or to use any information in this document.

CUSTOMER DRAWING

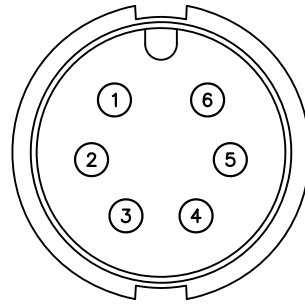
REV.	DESCRIPTION	APPROVED BY	DATE	ECN NO.
A	RELEASE	KU Chou	02/05/18*	
B	ADD PART NO.	Emily Suen	09/07/18*	
C				

TABLE A



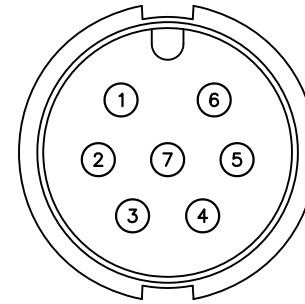
5P

WP-05M2-126-11



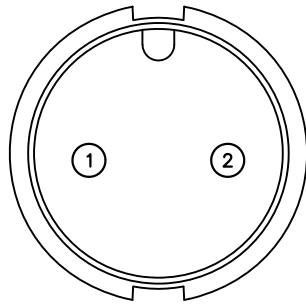
6P

WP-06M2-74-11

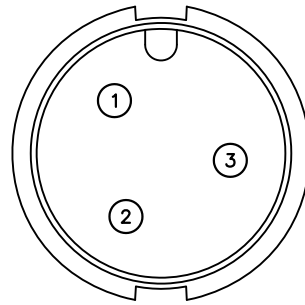


7P

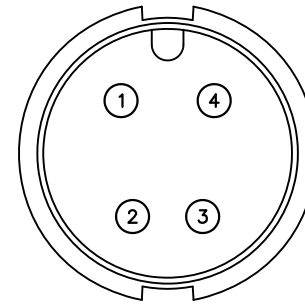
WP-07M2-10-11



2P



3P



4

DRAWN	Yeh Chou	APP'D	KU Chou	UNIT	mm	TOLERANCE			TITLE	D SIZE (M) 快鎖杯口焊線式 (方型擋板)-20A			SHEET	2
CHK'D	KU Chou			SCALE	1:1	.x ±0.20 .xx ±0.10 .xxx ±0.05 .xxxx ±0.03 ANGULA ±1°			PART NO.	SEE TABLE A	DWG NO.	QC8388	VERSION	B