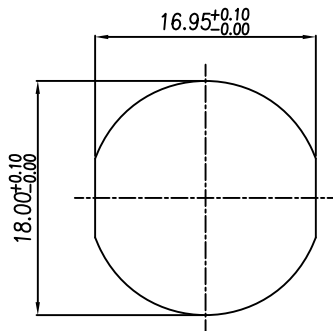
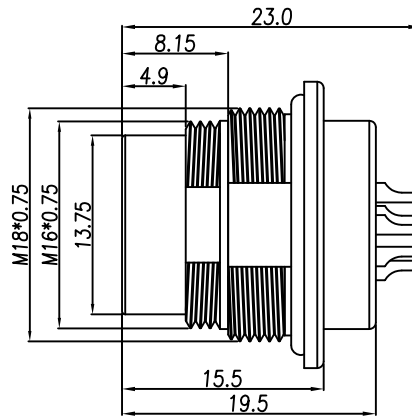
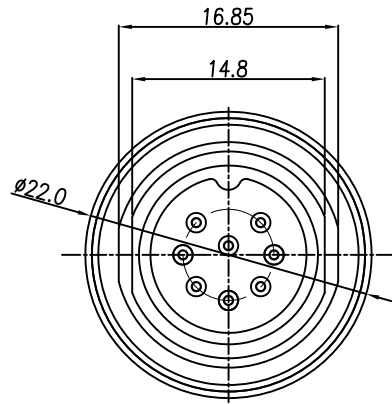


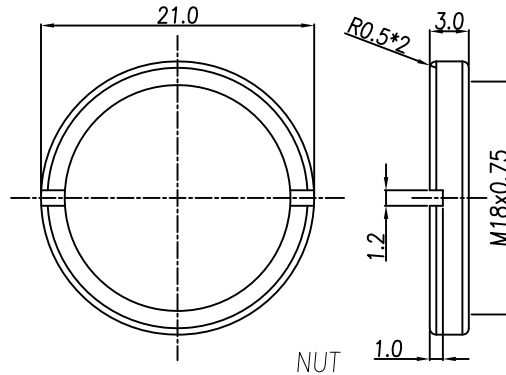
This document is the property of Nian-Yeong Corporation and is delivered on the express condition that it is not to be disclosed, reproduced or used, in whole or in part, for manufacture or sale by anyone other than Nian-Yeong Corporation without its prior consent, and that no right is granted to disclose or to use any information in this document.

CUSTOMER DRAWING

REV.	DESCRIPTION	APPROVED BY	DATE	ECN NO.
A				
B				
C				
D				



RECOMMEND PANEL CUT-OUT



NUT

- MATERIAL :
  - HOUSING : PA66 ; COLOR : BLACK.
  - CONTACT : BRASS
  - NUT : BRASS
  - O-RING : EPDM ; COLOR : BLACK
  - SHELL : BRASS.
- FINISH :
  - CONTACT : GOLD FLASH MICRO INCHES MIN.  
UNDER PLATE : NICKEL
  - NUT : NICKEL PLATED
  - SHELL : NICKEL PLATED
- ELECTRICAL SPECIFICATION :
  - Rated current : 3~8P 5A; 12~14P 3A
  - Rated Voltage : 3~8P 250V; 12~14P 60V
  - Water proof: IP67
- Environmental :
  - Operation Temperature : -40°C~85°C

DI-03M2-15-11	DI-04M2-24-11	DI-05M2-24-11	05-A	DI-06M2-22-11	DI-07M2-23-11	DI-07M2-24-11	DI-08M2-23-11	12P	13P	14P

DRAWN	LEO	APPEND	Emily Suen	UNIT	mm	TOLERANCE			TITLE	DIN M16 (M) 前鎖M18螺絲式			SHEET
CHK'D	Emily Suen			SCALE	1:1	.x ±0.20 .xx ±0.10 .xxx ±0.05 .xxxx ±0.03 ANGULA ±1°			PART NO.	SEE TABLE A	DWG NO.	QC9554	VERSION