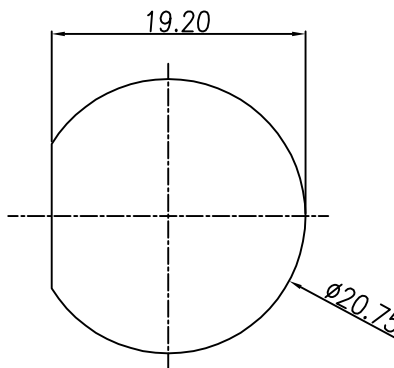
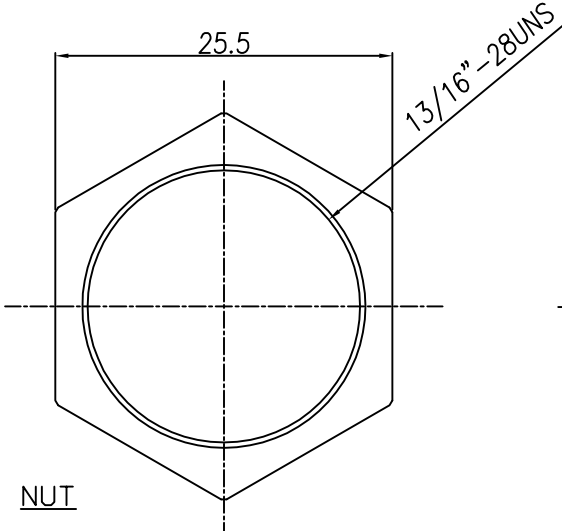
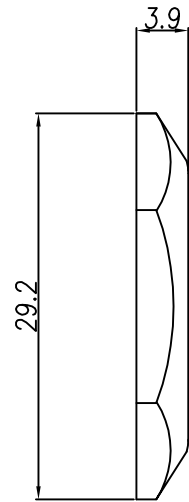
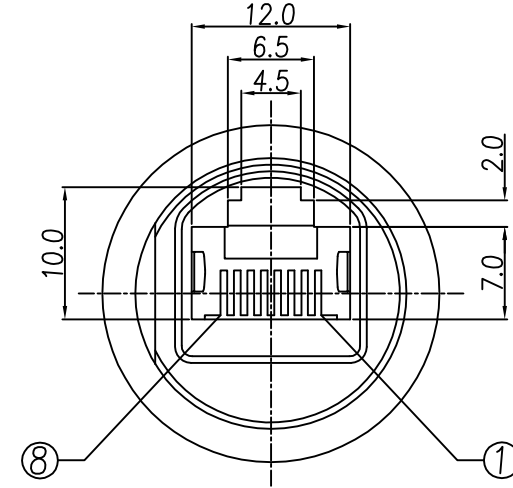
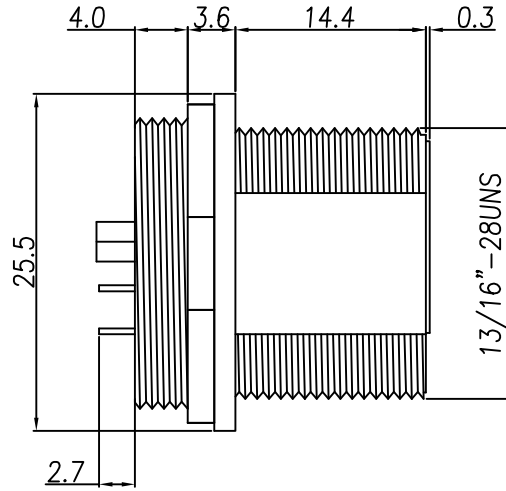
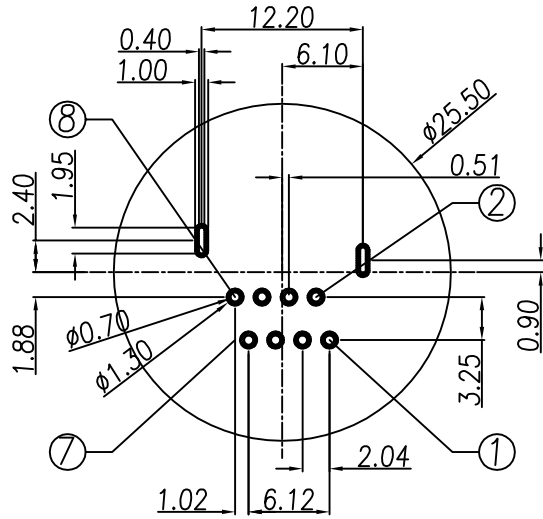


This document is the property of Nian-Yeong Corporation and is delivered on the express condition that it is not to be disclosed, reproduced or used, in whole or in part, for manufacture or sale by anyone other than Nian-Yeong Corporation without its prior consent, and that no right is granted to disclose or to use any information in this document.

CUSTOMER DRAWING

REV.	DESCRIPTION	APPVL. BY	DATE	ECN NO.
A	RELEASE	Fido Weng	12/01/12*	
B	接地脚增加鍍鍍	Fido Weng	23/02/16*	
C	修正油封材質	Yeh Chou	15/05/19*	



NUT

PANEL CUT-OUT

- MATERIAL :
 - HOUSING : PBT UL94V-0 ; COLOR : BLACK.
 - CONTACT : PHOSPHOR BRONZE
 - SHELL : ZINC ALLOY
 - GROUND : SUS 301
 - O-RING : SILICONE ; COLOR : BLACK.
 - NUT : BRASS
- FINISH :
 - CONTACT : GOLD FLASH PLATED
 - NUT : NICKEL PLTAED.
 - SHELL : NICKEL PLTAED.
 - GROUND : NICKEL PLTAED.
- ELECTRICAL SPECIFICATION :
 - Rated current : 1.5A
 - Rated voltage : 125V AC
 - Water proof : IP67
- Environmental :
 - Operation Temperature : -40℃~85℃

DRAW	Ku Chou	APPVL	Fido Weng	UNIT	mm	TOLERANCE		TITLE	防水 RJ45 8PIN			SHEET
CHECK	Emily Suen			SCALE	1:1	.x ±0.20 .xx ±0.10 .xxx ±0.05 .xxxx ±0.03 ANGULA ±1°		PART NO.	RJ-08F2-01	DWG NO.	QC5599	VERSION
								年永實業有限公司			C	