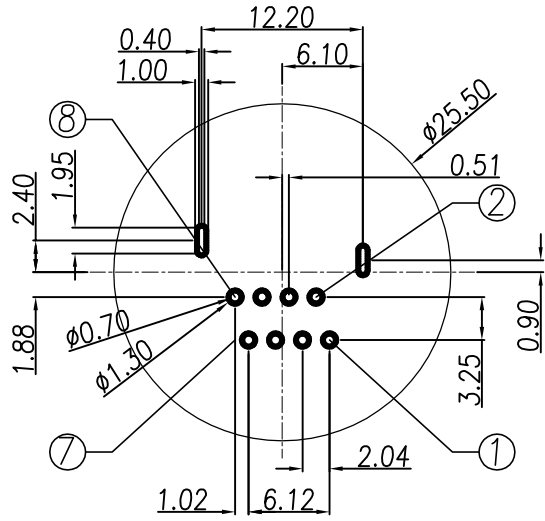


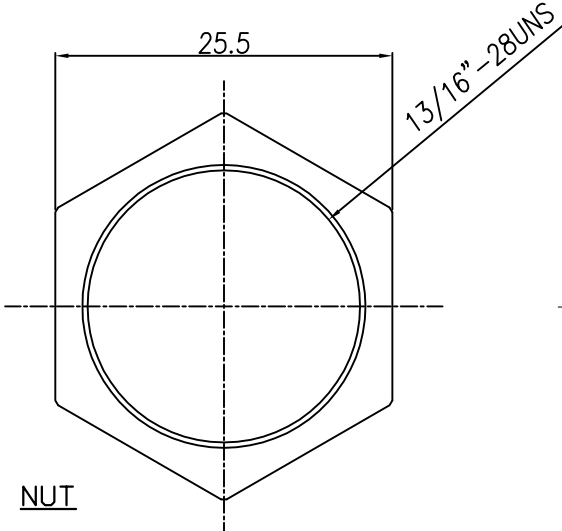
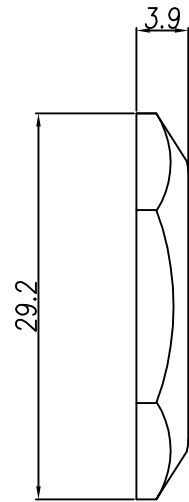
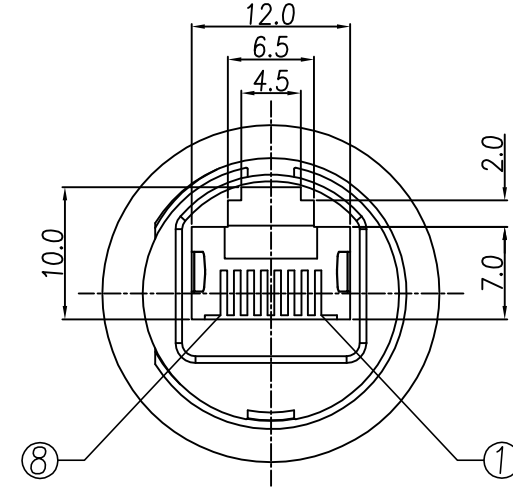
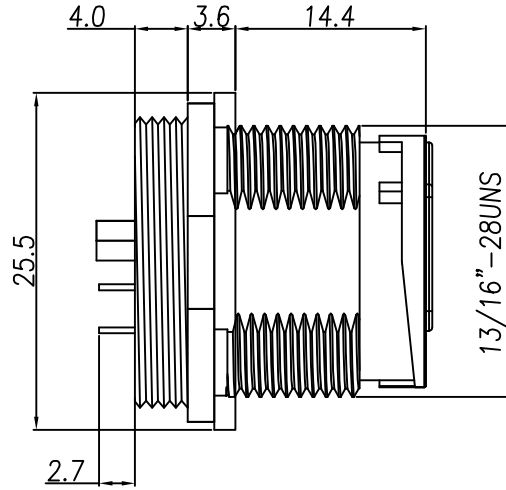
This document is the property of Nian-Yeong Corporation and is delivered on the express condition that it is not to be disclosed, reproduced or used, in whole or in part, for manufacture or sale by anyone other than Nian-Yeong Corporation without its prior consent, and that no right is granted to disclose or to use any information in this document.

CUSTOMER DRAWING

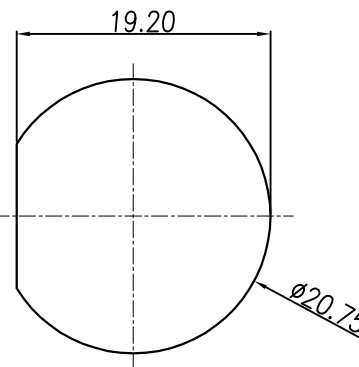
| REV. | DESCRIPTION | APPVL. BY | DATE | ECN NO. |
|------|-------------|-----------|-----------|---------|
| A | RELEASE | Yeh Chou | 04/19/19' | |
| B | | | | |
| C | | | | |



P.C.B LAYOUT (Top view)



NUT



PANEL CUT-OUT

- MATERIAL :
 - 1-1. HOUSING : PBT UL94V-0 ; COLOR : BLACK.
 - 1-2. CONTACT : PHOSPHOR BRONZE
 - 1-3. SHELL : PA66 UL94V-0 ; COLOR : BLACK.
 - 1-4. GROUND : SUS 301
 - 1-5. GASKET : SILICONE ; COLOR : BLACK.
 - 1-6. NUT : PA66
- FINISH :
 - 2-1. CONTACT : GOLD FLASH PLATED
 - 2-2. GROUND : NICKEL PLATED.
- ELECTRICAL SPECIFICATION :
 - 3-1. Rated current : 2A
 - 3-2. Rated voltage : 250V
 - 3-3. Water proof : IPX7
- Environmental :
 - 4-1. Operation Temperature : -40℃~85℃

| | | | | | | | | | | | | | |
|-------|------------|-------|-----------|-------|-----|--|---------------------------------------|----------|---------------------|---------|--------|---------|-------|
| DRAW | Ku Chou | APPVL | Fido Weng | UNIT | mm | TOLERANCE | NIAN YEONG ENTERPRISE 年永實業有限公司 | TITLE | 防水RJ45 8PIN(F)(快鎖式) | | | SHEET | A |
| CHECK | Emily Suen | | | SCALE | 1:1 | .x ±0.20 .xx ±0.10 .xxx ±0.05 .xxxx ±0.03 ANGULA ±1° | | PART NO. | RJ-08F2-12-01 | DWG NO. | QC9087 | VERSION | |