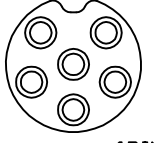
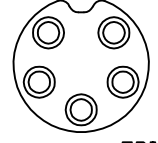


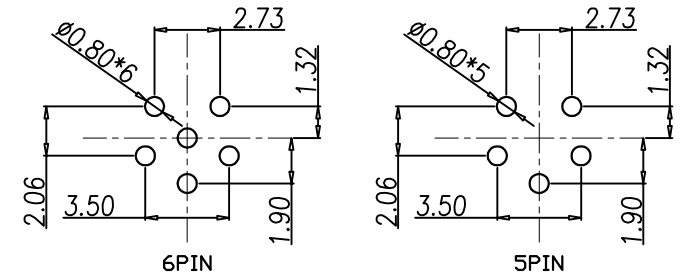
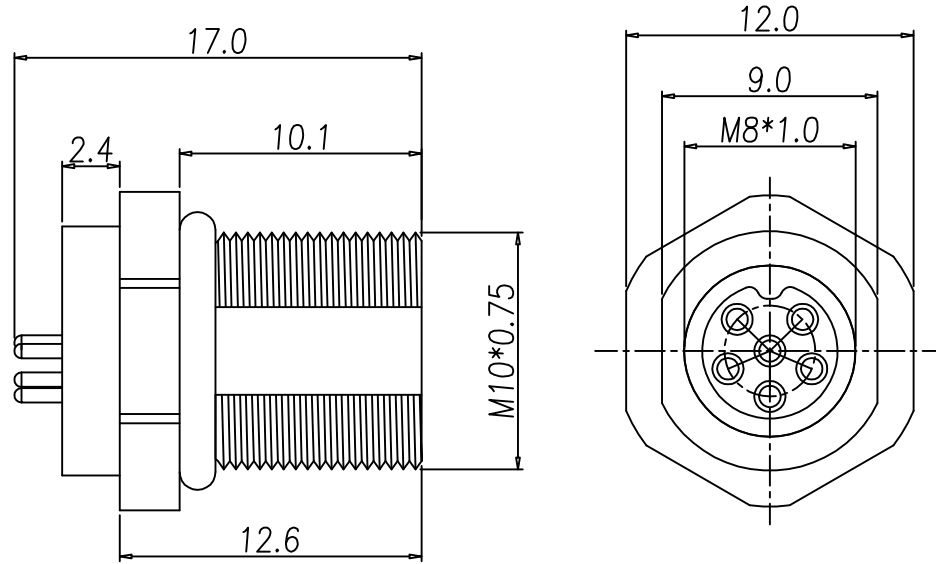
This document is the property of Nian-Yeong Corporation and is delivered on the express condition that it is not to be disclosed, reproduced or used, in whole or in part, for manufacture or sale by anyone other than Nian-Yeong Corporation without its prior consent, and that no right is granted to disclose or to use any information in this document.

CUSTOMER DRAWING

REV.	DESCRIPTION	APPVL. BY	DATE	ECN NO.
A	RELEASE	Ku Chou	03/01/19*	
B				
C				

TABLE A

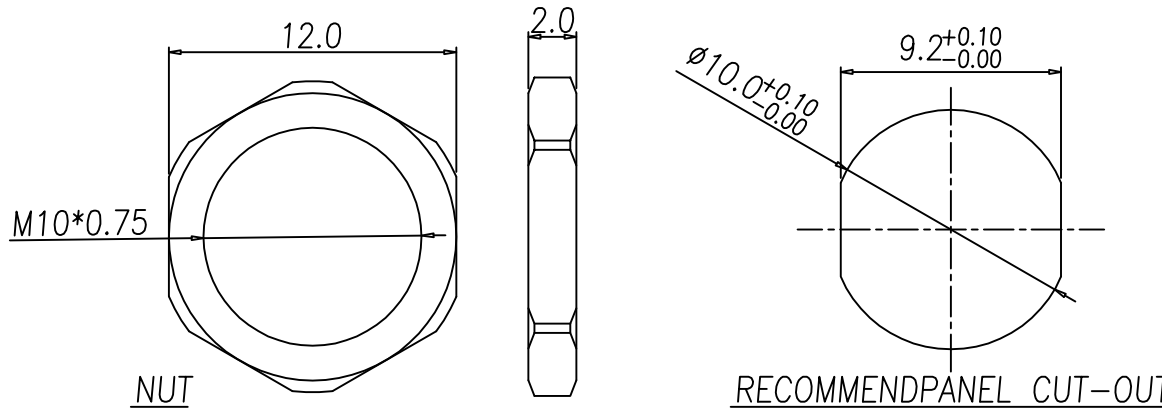
			
6PIN	5PIN		
WP-06F3-02-11	WP-05F3-07-11		
WP-06F3-03-11	WP-05F3-09-11		
WP-06F3-02-11	GOLD FLASH	WP-06F3-03-11	GOLD 10u"
WP-05F3-07-11	GOLD FLASH	WP-05F3-09-11	GOLD 10u"
PART No.	FINISH	PART No.	FINISH



RECOMMEND P.C.B LAYOUT

NOTE:

- MATERIAL :
 - HOUSING : PA66 UL94V-0 ; COLOR : BLACK
 - CONTACT : BRASS.
 - SHELL : BRASS.
 - NUT : BRASS.
 - O-RING : EPDM ; COLOR : BLACK
- FINISH :
 - CONTACT : SEE TABLE A
 - SHELL : NICKEL PLATED.
 - NUT : NICKEL PLATED.
- ELECTRICAL SPECIFICATION :
 - Rated current : 1.5A
 - Rated Voltage : 30V
 - Water proof : IP67
- Environmental :
 - Operation Temperature : -40°C~105°C



DRAWN	Emily Suen	APP'D	Ku Chou	UNIT	mm	TOLERANCE		TITLE	M8 (F) 前鑽M10*0.75 DIP式			SHEET
CHK'D	Ku Chou			SCALE	1:1	.x ±0.20 .xx ±0.10 .xxx ±0.05 .xxxx ±0.03 ANGULA ±1°			PART NO.	SEE TABLE A	DWG NO.	QC9407

NIAN YEONG ENTERPRISE
年永實業有限公司