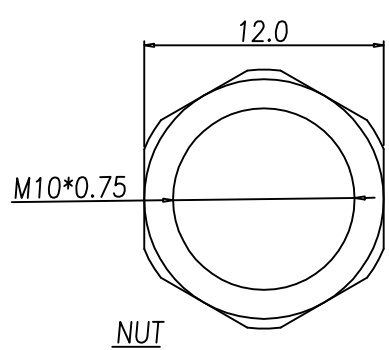
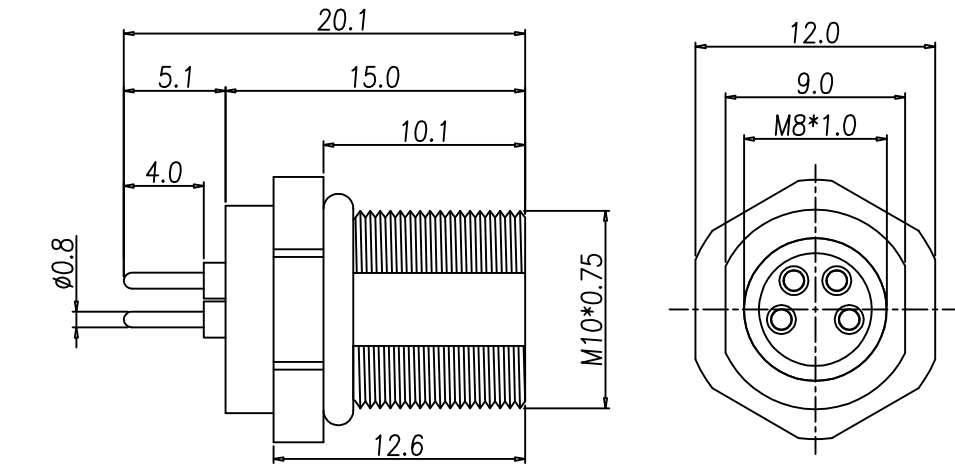


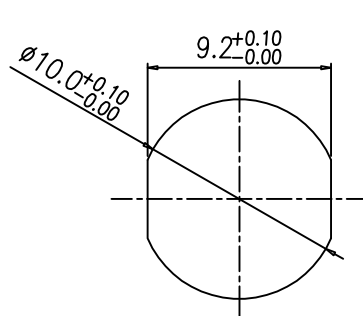
This document is the property of Nian-Yeong Corporation and is delivered on the express condition that it is not to be disclosed, reproduced or used, in whole or in part, for manufacture or sale by anyone other than Nian-Yeong Corporation without its prior consent, and that no right is granted to disclose or to use any information in this document.

CUSTOMER DRAWING

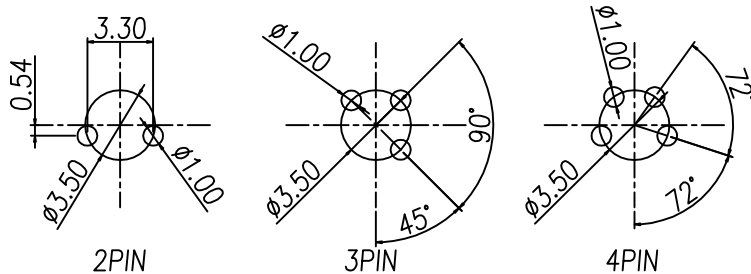
REV.	DESCRIPTION	APPVL. BY	DATE	ECN NO.
A	RELEASE	Ku Chou	25/04/19*	
B				
C				



NUT



RECOMMEND PANEL CUT-OUT



RECOMMEND PCB LAYOUT

TABLE A

	2PIN	3PIN	4PIN
WP-02F3-02-11	WP-03F3-02-11	WP-04F3-07-11	
WP-02F3-03-11	WP-03F3-03-11	WP-04F3-08-11	
WP-04F3-07-11	GOLD FLASH	WP-04F3-08-11	GOLD 10u"
WP-03F3-02-11	GOLD FLASH	WP-03F3-03-11	GOLD 10u"
WP-02F3-02-11	GOLD FLASH	WP-02F3-03-11	GOLD 10u"
PART No.	FINISH	PART No.	FINISH

NOTE:

- MATERIAL :
  - HOUSING : PA66 ; COLOR : BLACK
  - CONTACT : BRASS.
  - SHELL : BRASS.
  - NUT : BRASS.
  - O-RING : EPDM ; COLOR : BLACK
- FINISH :
  - CONTACT : SEE TABLE A
  - SHELL : NICKEL PLATED.
  - NUT : NICKEL PLATED.
- ELECTRICAL SPECIFICATION :
  - Rated current : 4A
  - Rated Voltage : 60V
  - Water proof : IP67
- Environmental :
  - Operation Temperature : -40°C~105°C

DRAWN	Emily Suen	APP'D	Ku Chou	UNIT	mm	TOLERANCE				TITLE	M8 (F) 前鎖M10*0.75插板式			SHEET	
CHK'D	Ku Chou	SCALE	1:1	ANGULA	±1°	PART NO.				SEE TABLE A	DWG NO.	QC9308	VERSION	A	