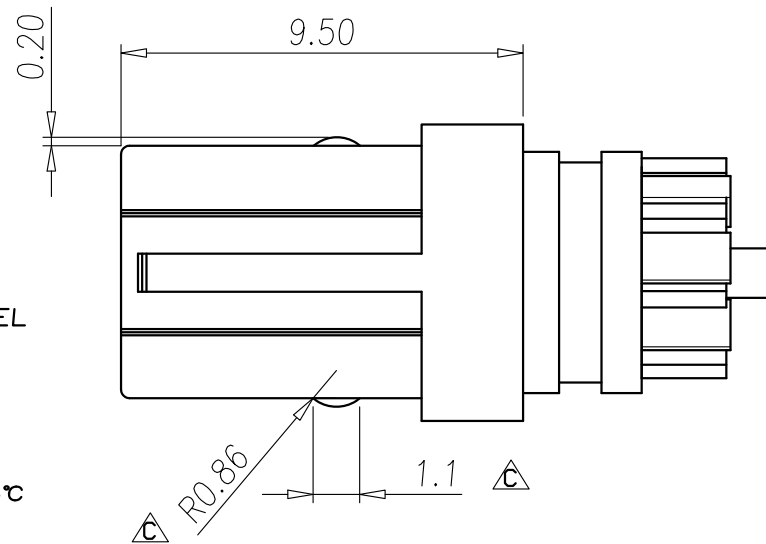
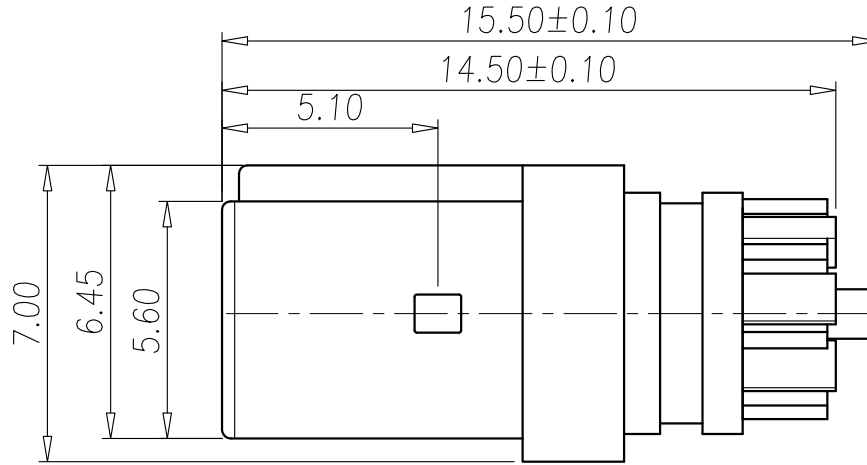
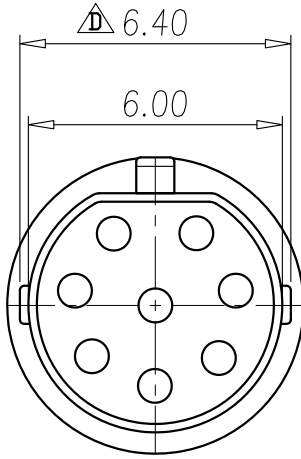


This document is the property of Nian-Yeong Corporation and is delivered on the express condition that it is not to be disclosed, reproduced or used, in whole or in part, for manufacture or sale by anyone other than Nian-Yeong Corporation without its prior consent, and that no right is granted to disclose or to use any information in this document.

# CUSTOMER DRAWING

REV.	DESCRIPTION	APPROVED BY	DATE	ECN NO.
A	RELEASE	Fido Weng	22/12/08'	
B	MODIFY DRAWING	Fido Weng	18/05/10'	ECN10046
C	RELEASE & Change	Fido Weng	27/05/13'	ECN13012
D	更正尺寸	Fido Weng	31/07/13'	



**NOTE:**

**1.MATERIAL:**

- 1-1.HOUSING: PBT(BLACK).
- 1-2.CONTACT: PHOSPHOR BRONZE.

**2.PLATING:**

- 2-1. CONTACT :30 MICRO INCHES MIN Silver PLATING OVER NICKEL

**3.SAFETY:**

- 3-1. CURRENT RATING : 1A
- 3-2. VOLTAGE RATING : 30V

**4.ENVIRONMENTAL :**

- 4-1.OPERATION TEMPERATURE : -20 ℃~85℃

DRAWN	Jen Xie	APP'D	Fido Weng	UNIT	mm	TOLERANCE	.x ±0.20 .xx ±0.10 .xxx ±0.05 .xxxx ±0.03 ANGULA ±1°	TITLE	#8P (F) Lock			SHEET	1/1
CHK'D	Emily Suen	PART NO.	SPD-08F1-02	SCALE	1:1	ANGULAR		PART NO.	SPD-08F1-02	DWG NO.	QC3547	VERSION	D
				 <b>NIAN YEONG ENTERPRISE</b> 年永實業有限公司									