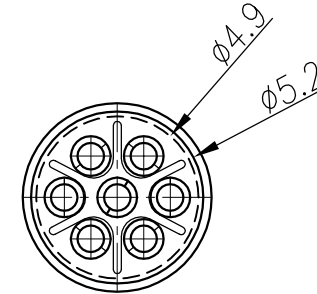
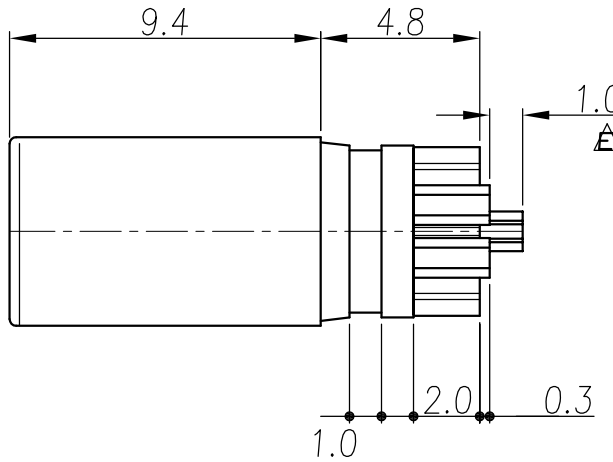
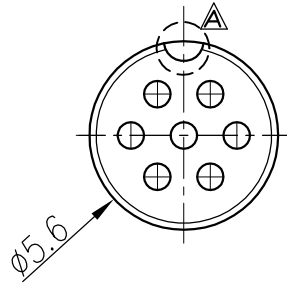
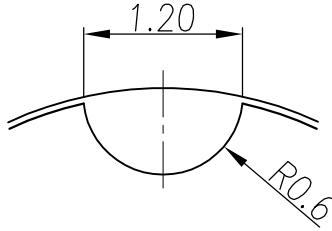


This document is the property of Nian-Yeong Corporation and is delivered on the express condition that it is not to be disclosed, reproduced or used, in whole or in part, for manufacture or sale by anyone other than Nian-Yeong Corporation without its prior consent, and that no right is granted to disclose or to use any information in this document.

CUSTOMER DRAWING

REV.	DESCRIPTION	APPROVED BY	DATE	ECN NO.
E	修正標示	Frank	25/01/08*	
F	RELEASE	Fido Weng	20/08/09*	
G				



備註/NOTE:

1. MATERIAL:

- 1-1. 膠殼/HOUSING: PBT(TABLE A)
- 1-2. 針/PIN: 銅/BRONZE.

2. PLATING:

- 2-1. 針/PIN: 鍍 30u"/SILVER 30u".

3. Specification:

- 3-1. Current rating: 1A AC/DC Min.
- 3-2. Voltage rating: 30V AC/DC Min.
- 3-3. Contact resistance: 30Mohm Max.
- 3-4. Insulation resistance: 100Mohm Min.
- 3-5. Dielectric Withstanding voltage: 500V AC/ 1 minute.

TABLE A

△	SPD-07F1-01	特7PIN (F) 黑
△	SPD-07F1-02	特7PIN (F) 綠
△	SPD-07F1-03	特7PIN 重拉力 (F) 黑
△	SPD-07F1-04	特7PIN 重拉力 (F) 綠
	P/N	DESCRIPTION

DRAWN	賴鴻志	APP'D	Fido Weng	UNIT	mm	TOLERANCE		TITLE	特7PIN (M)			SHEET	
CHK'D	Emily Suen			SCALE	1:1	.x ±0.20 .xx ±0.10 .xxx ±0.05 .xxxx ±0.03 ANGULA ±1°			PART NO.	TABLE A	DWG NO.	QC1364	VERSION G

