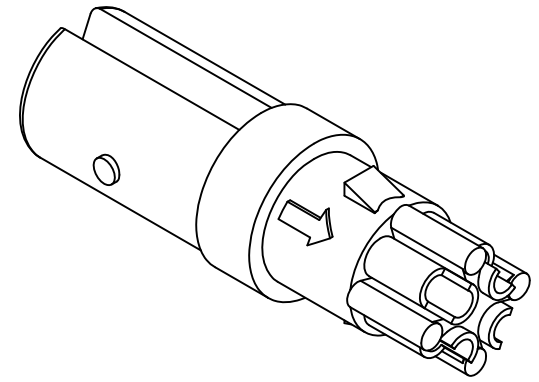
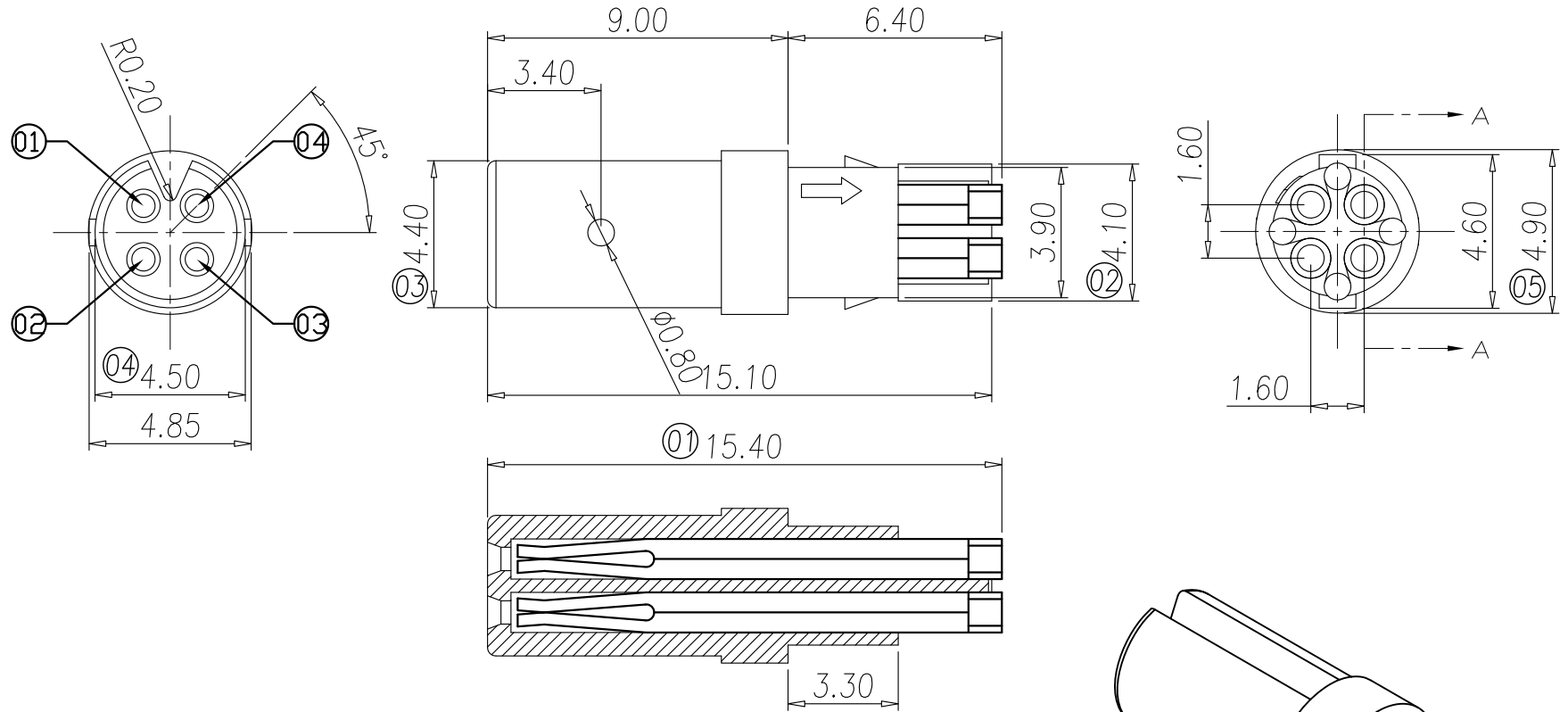


This document is the property of Nian-Yeong Corporation and is delivered on the express condition that it is not to be disclosed, reproduced or used, in whole or in part, for manufacture or sale by anyone other than Nian-Yeong Corporation without its prior consent, and that no right is granted to disclose or to use any information in this document.

CUSTOMER DRAWING

| REV. | DESCRIPTION | APPROVED BY | DATE | ECN NO. |
|------|-------------|-------------|-----------|---------|
| A | RELEASE | Emily Suen | 23/03/11' | |
| B | | | | |
| C | | | | |



A-A 剖面

1. MATERIAL :
 - 1-1. HOUSING : PBT UL94V-0 ; COLOR : BLACK
 - 1-2. CONTACT : PHOSPHER BRONZE
2. FINISH :
 - 2-1. CONTACT : SILVER 30u"
3. ELECTRICAL SPECIFICATION :
 - 3-1. Rated current : 1A
 - 3-2. Rated voltage : 30V
4. Environmental :
 - 4-1. Operation Temperature : -20℃~85℃

| | | | | | | | | | | | | | |
|-------|------------|-------|------------|-------|-----|--|--|----------|-------------|---------|--------|---------|-----|
| DRAWN | Sony Cui | APP'D | Emily Suen | UNIT | mm | TOLERANCE | | TITLE | 特4(F)成形式 | | | SHEET | 1/2 |
| CHK'D | Emily Suen | | | SCALE | 1:1 | .x ±0.20 .xx ±0.10 .xxx ±0.05 .xxxx ±0.03 ANGULA ±1° | | PART NO. | SPD-04F2-01 | DWG NO. | QC5346 | VERSION | A |

NIAN YEONG ENTERPRISE
年永實業有限公司

This document is the property of Nian-Yeong Corporation and is delivered on the express condition that it is not to be disclosed, reproduced or used, in whole or in part, for manufacture or sale by anyone other than Nian-Yeong Corporation without its prior consent, and that no right is granted to disclose or to use any information in this document.

CUSTOMER DRAWING

| REV. | DESCRIPTION | APPROVED BY | DATE | ECN NO. |
|------|-------------|-------------|-----------|---------|
| A | RELEASE | Emily Suen | 23/03/11' | |
| B | | | | |
| C | | | | |

步驟一:

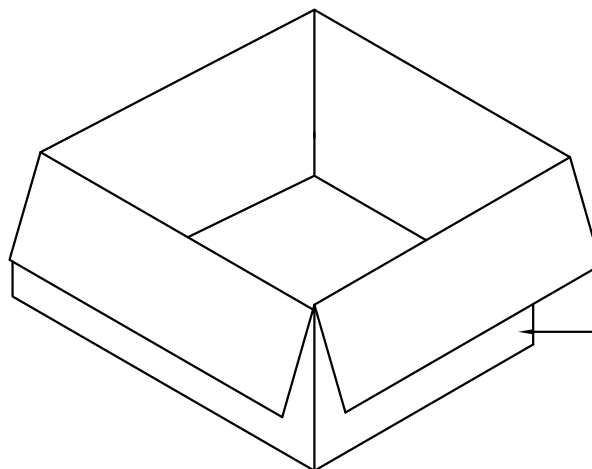
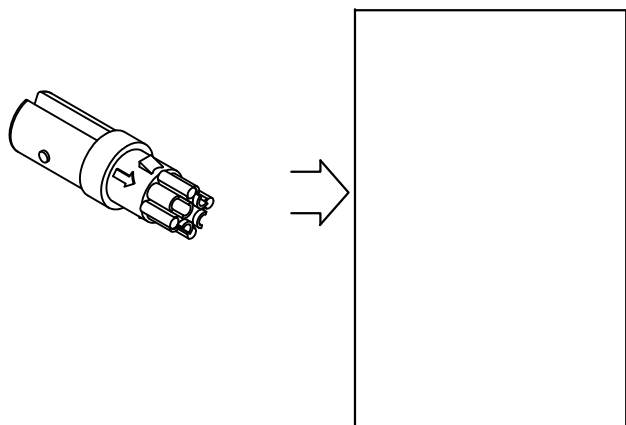
1. 將成品放入PE袋
2. 每個PE袋裝1000PCS後以熱封機熱封

步驟二:

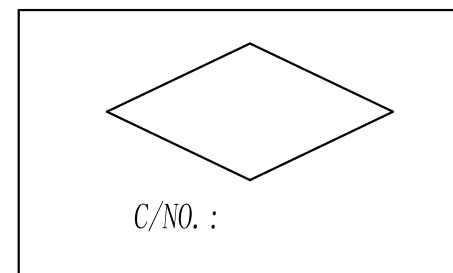
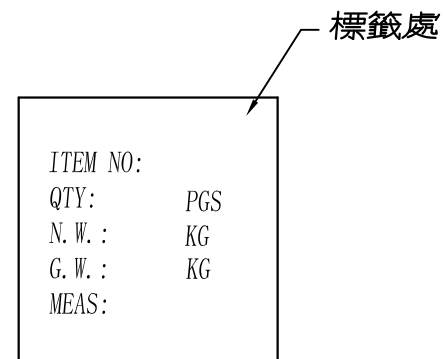
1. 一個紙箱可以裝10個PE袋
2. 每箱10000pcs.
3. 將PE袋放紙箱中,後封箱.

步驟三:

1. 用膠帶將紙箱封實.
2. 將標籤貼於紙箱上.



紙箱



| | | | | | | | | | | | | | | |
|-------|------------|-------|------------|-------|-----|--|--|--|----------|-------------|---------|--------|---------|---|
| DRAWN | Sony Cui | APP'D | Emily Suen | UNIT | mm | TOLERANCE | | | TITLE | 特4(F)成形式 | | | SHEET | 2 |
| CHK'D | Emily Suen | | | SCALE | 1:1 | .x ±0.20 .xx ±0.10 .xxx ±0.05 .xxxx ±0.03 ANGULA ±1° | | | PART NO. | SPD-04F2-01 | DWG NO. | QC5346 | VERSION | A |

NIAN YEONG ENTERPRISE
年永實業有限公司