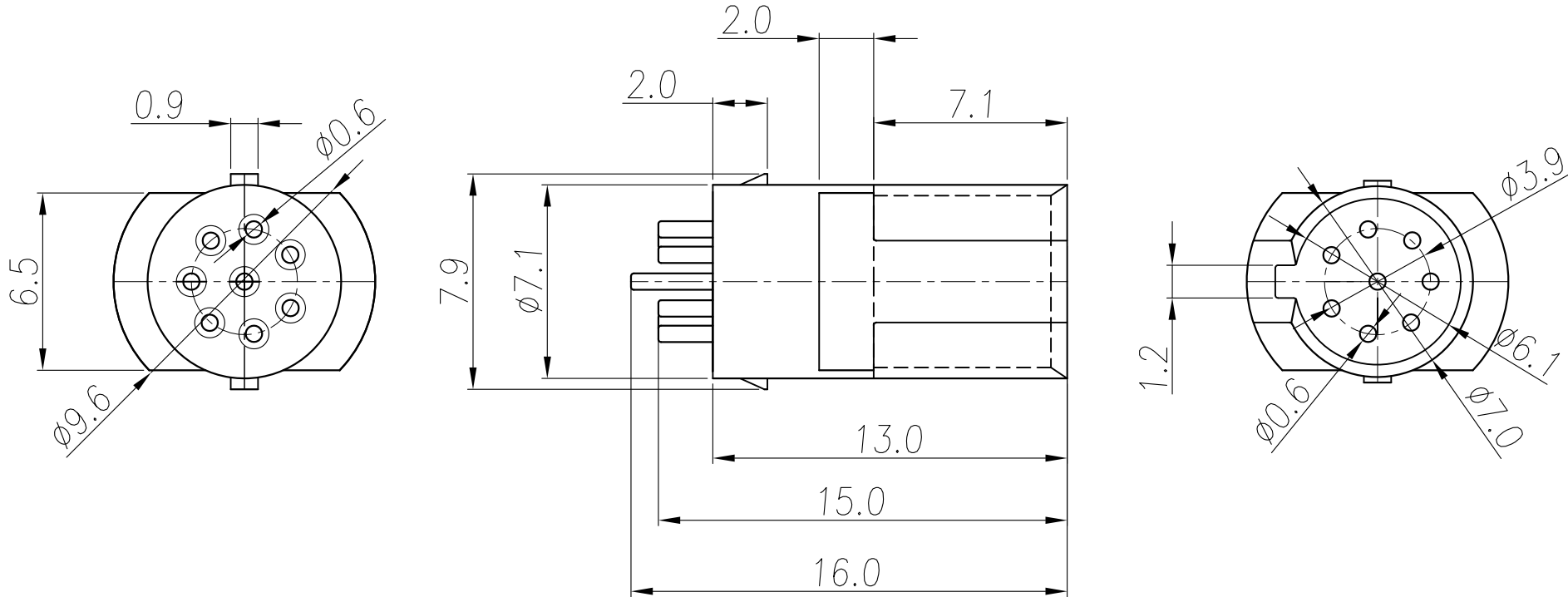


This document is the property of Nian-Yeong Corporation and is delivered on the express condition that it is not to be disclosed, reproduced or used, in whole or in part, for manufacture or sale by anyone other than Nian-Yeong Corporation without its prior consent, and that no right is granted to disclose or to use any information in this document.

CUSTOMER DRAWING

REV.	DESCRIPTION	APPVL. BY	DATE	ECN NO.
A	RELEASE	Fido Weng	22/12/08*	
B				
C				



NOTE:

- MATERIAL :
 - 1-1. HOUSING : PBT UL94V-0 ; COLOR : BLACK
 - 1-2. CONTACT : BRASS
- FINISH :
 - 2-1. CONTACT : 30u" AG PLATED OVER NICKEL

DRAWN	Mark Kao	APP'D	Ku Chou	UNIT	mm	TOLERANCE	NIAN YEONG ENTERPRISE		TITLE	SPECIAL DIN 8PIN (M)			SHEET
CHK'D	Emily Suen			SCALE	1:1	.x ±0.20 .xx ±0.10 .xxx ±0.05 .xxxx ±0.03 ANGULA ±1°	年永實業有限公司		PART NO.	SPD-08M1-01	DWG NO.	QC1365	VERSION A