

This document is the property of Nian-Yeong Corporation and is delivered on the express condition that it is not to be disclosed, reproduced or used, in whole or in part, for manufacture or sale by anyone other than Nian-Yeong Corporation without its prior consent, and that no right is granted to disclose or to use any information in this document.

CUSTOMER DRAWING

REV.	DESCRIPTION	APPVL. BY	DATE	ECN NO.
A	RELEASE	Fido Weng	22/12/08*	
B	新增機	Emily Suen	14/06/12*	
C				

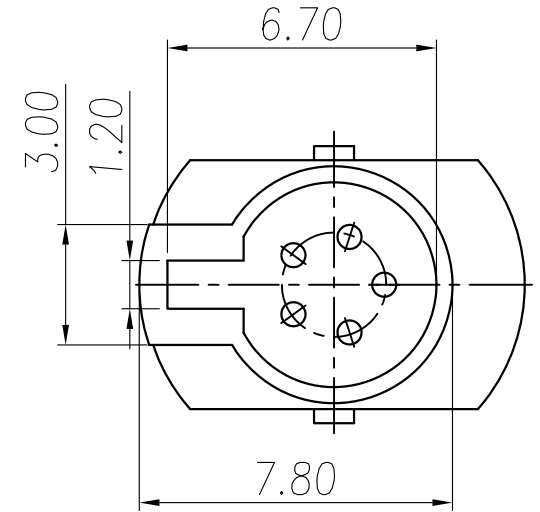
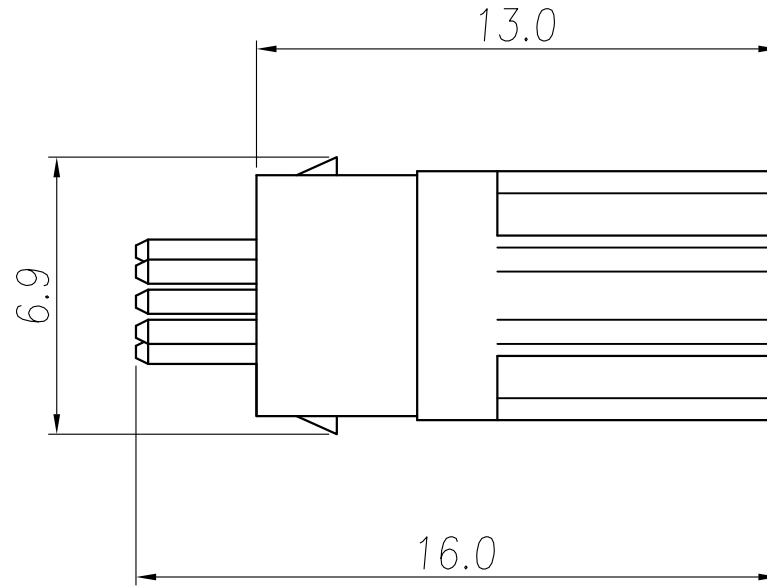
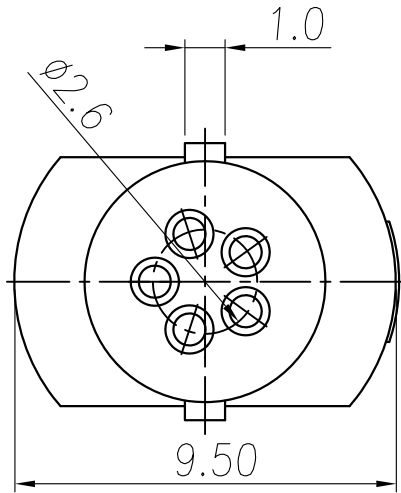


TABLE A

SPD-05M2-07	特5(M)削角(純白色)
SPD-05M2-03	特5(M)削角(黑色)
SPD-05M2-02	特5(M)削角(白色)
P/N	DESCRIPTION

NOTE:

- MATERIAL :
  - HOUSING : PBT UL94V-0 ; COLOR : SEE TABLE A
  - CONTACT : BRASS
- FINISH :
  - CONTACT : SILVER PLATED.

DRAW	Angus Lai	APPVL	Emily Suen	UNIT	mm	TOLERANCE			TITLE	特5(M)成型式	SHEET	
CHECK	Emily Suen	SCALE	1:1	ANGULAR	±1°	.x ±0.20 .xx ±0.10 .xxx ±0.05 .xxxx ±0.03			PART NO.	SEE TABLE A	DWG NO.	