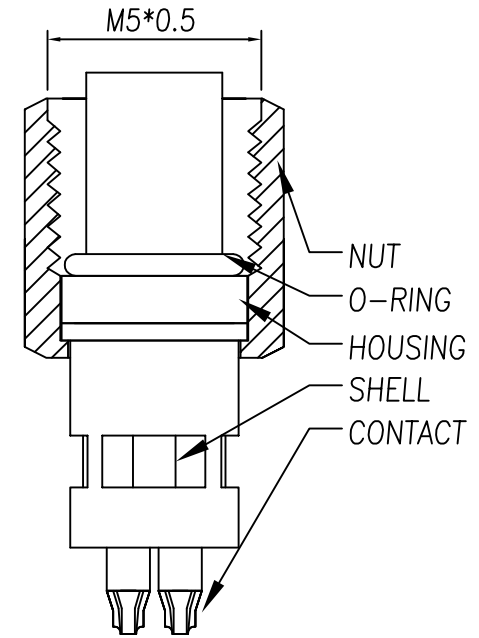
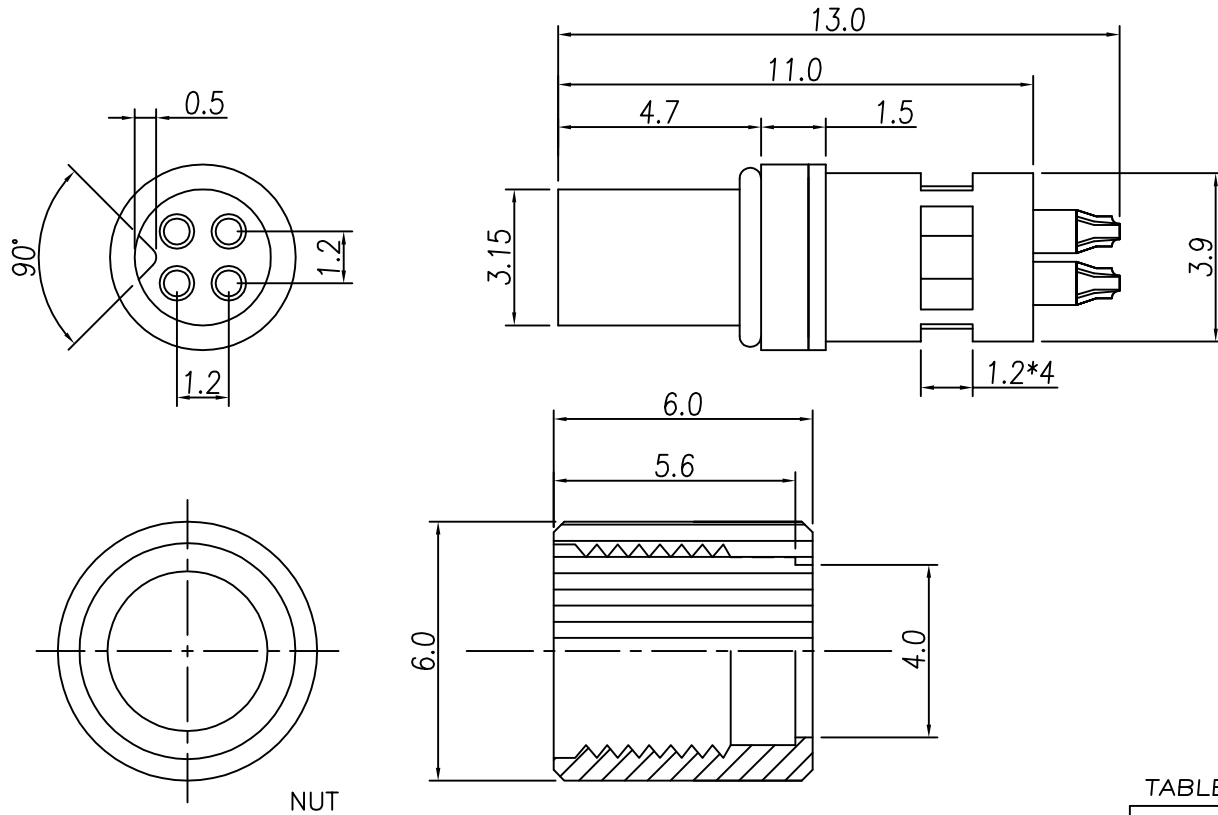


This document is the property of Nian-Yeong Corporation and is delivered on the express condition that it is not to be disclosed, reproduced or used, in whole or in part, for manufacture or sale by anyone other than Nian-Yeong Corporation without its prior consent, and that no right is granted to disclose or to use any information in this document.

CUSTOMER DRAWING

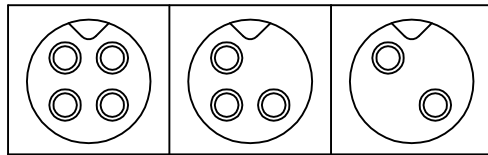
REV.	DESCRIPTION	APPROVED BY	DATE	ECN NO.
A	RELEASE	Fido Weng	01/10/10*	
B	尺寸變更	Emily Suen	15/08/12*	ECN12020
C	變更線碼	KU	10/05/18*	



- MATERIAL :
 - 1-1. HOUSING : TPU ; COLOR : BLACK
 - 1-2. CONTACT : PHOSPHOR BRONZE
 - 1-3. NUT : BRASS
 - 1-4. O-RING : NBR ; COLOR : BLACK
 - 1-5. SHELL : BRASS.
- FINISH :
 - 2-1. CONTACT : SEE TABLE A
 - 2-2. NUT : SEE TABLE A
 - 2-3. SHELL : BRIGHT TIN PLATED .
- ELECTRICAL SPECIFICATION :
 - 3-1. Rated current : 1A
 - 3-2. Rated Voltage : 60V
 - 3-3. Water proof : IP67
 - 4. Environmental :
 - 4-1. Operation Temperature : -20 °C~85°C

TABLE A

WP-04F2-175-11	GOLD FLASH	BLACK Cr
WP-04F2-144-11	GOLD 10u"	NICKEL 60u"~100u"
WP-03F2-65-11	GOLD 10u"	NICKEL 60u"~100u"
WP-02F2-41-11	GOLD 10u"	NICKEL 60u"~100u"
WP-04F2-56	GOLD FLASH	NICKEL 60u"~100u"
WP-03F2-60-11	GOLD FLASH	NICKEL 60u"~100u"
WP-02F2-37-11	GOLD FLASH	NICKEL 60u"~100u"
PART NO	FINISH(CONTACT)	FINISH(NUT)



DRAWN	Ku Chou	APP'D	Emily Suen	UNIT	mm	TOLERANCE		TITLE	M5-4(F)線端線式+接地			SHEET	
CHK'D	Emily Suen			SCALE	1:1	.x ±0.20 .xx ±0.10 .xxx ±0.05 .xxxx ±0.03 ANGULA ±1°			PART NO.	SEE TABLE A	DWG NO.	QC4999	VERSION C

NIAN YEONG ENTERPRISE
年永實業有限公司