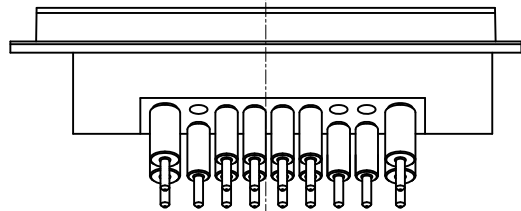
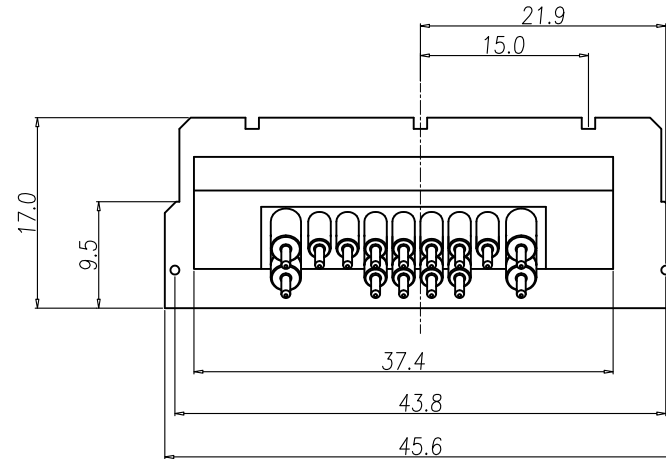
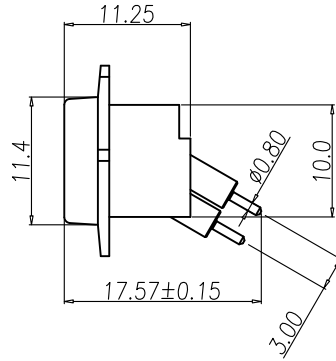
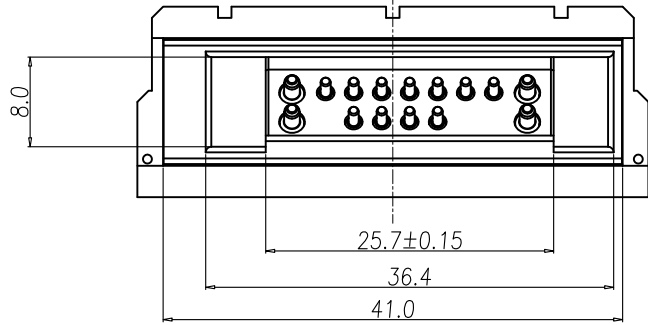
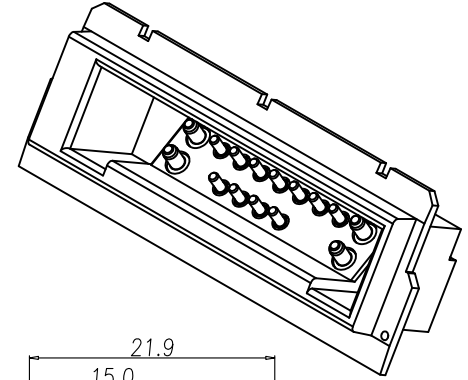
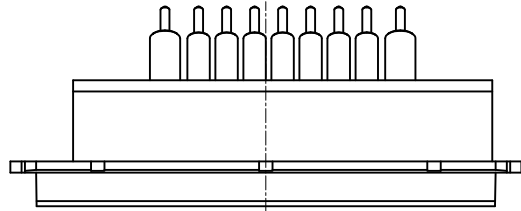


This document is the property of Nian-Yeong Corporation and is delivered on the express condition that it is not to be disclosed, reproduced or used, in whole or in part, for manufacture or sale by anyone other than Nian-Yeong Corporation without its prior consent, and that no right is granted to disclose or to use any information in this document.

CUSTOMER DRAWING

REV.	DESCRIPTION	APPROVED BY	DATE	ECN NO.
A	RELEASE	Fido Weng	09/12/10	
B				
C				
D				



1. MATERIAL :
 - 1-1. HOUSING : PBT UL94V-0 ; COLOR : BLACK
 - 1-2. CONTACT : SPRING : STAINLESS STEEL 304
BARREL : BRASS
PLUNGER : BRASS
2. FINISH :
 - 2-1. CONTACT : 15 MICRO INCHES MIN. GOLD PLATED
UNDER PLATE : NICKEL
3. ELECTRICAL SPECIFICATION :
 - 3-1. Rated current : 3A
 - 3-2. Rated voltage : 12V
 - 3-3. Water proof : IP66
4. Environmental :
 - 4-1. Operation Temperature : -20°C~105°C

DRAWN	Ku Chou	APPVL	Emily Suen	UNIT	mm	TOLERANCE		TITLE	點餐機 Receptacles			SHEET	
CHK'D	Emily Suen			SCALE	1:1	.x ±0.20 .xx ±0.10 .xxx ±0.03 .xxxx ±0.01 ANGULA ±1°		PART NO.	PD-15F2-04	DWG NO.	QC5122	VERSION	A
								NIAN YEONG ENTERPRISE					
								年永實業有限公司					