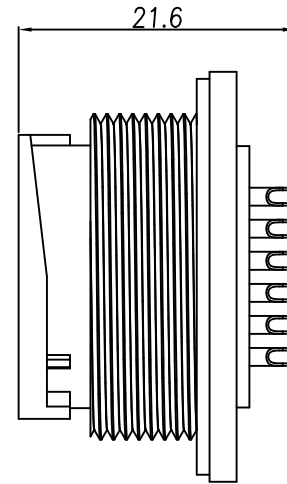
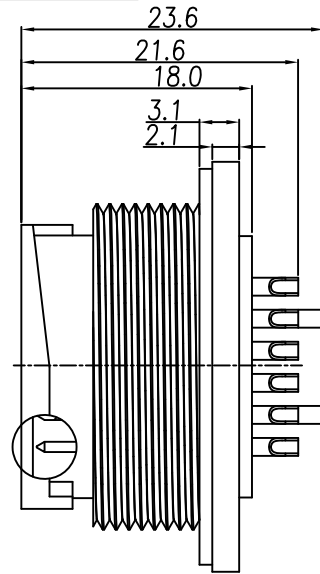
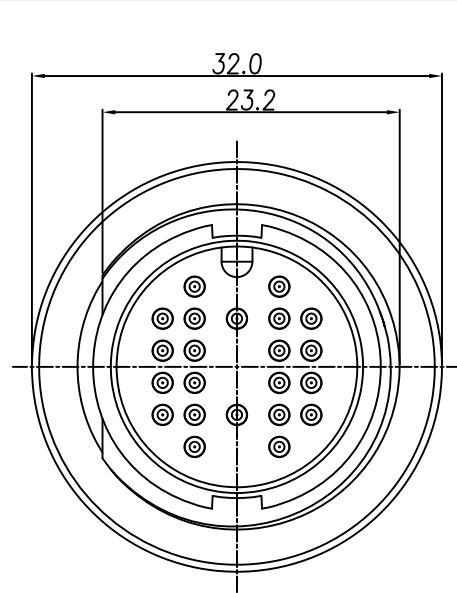


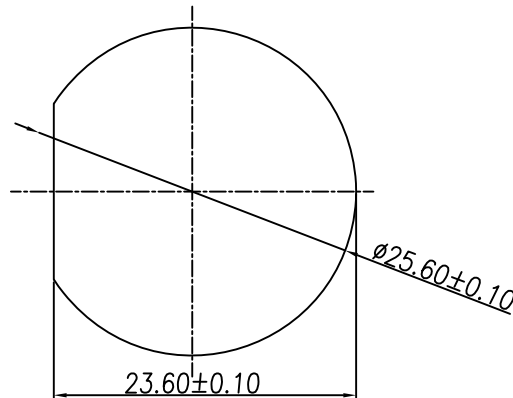
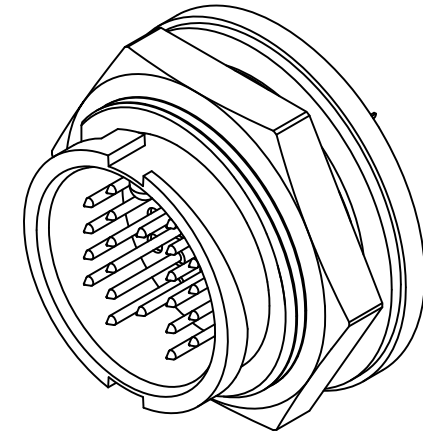
This document is the property of Nian-Yeong Corporation and is delivered on the express condition that it is not to be disclosed, reproduced or used, in whole or in part, for manufacture or sale by anyone other than Nian-Yeong Corporation without its prior consent, and that no right is granted to disclose or to use any information in this document.

CUSTOMER DRAWING

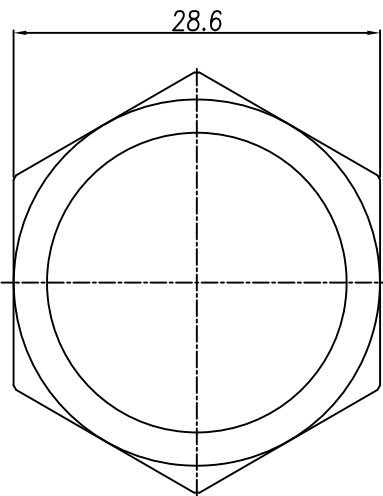
REV.	DESCRIPTION	APPROVED BY	DATE	ECN NO.
A	RELEASE	Ku Chou	14/11/18'	
B				
C				



20 PIN ONLY



RECOMMEND PANEL HOLE



Hex Nut



1. MATERIAL :
  - 1-1. HOUSING : PA66 UL94V-0 ; COLOR : BLACK
  - 1-2. CONTACT : BRASS
  - 1-3. GASKET : SILICONE
  - 1-4. HEX NUT : PA66 UL94V-0 ; COLOR : BLACK
2. FINISH :
  - 2-1. CONTACT : GOLD FLASH PLATED
3. ELECTRICAL SPECIFICATION :
  - 3-1. RATED CURRENT: 2A
  - 3-2. RATED VOLTAGE : 300V
  - 3-3. WATER PROOF: IP67
4. ENVIRONMENTAL :
  - 4-1. OPERATION TEMPERATURE : -40℃~105℃

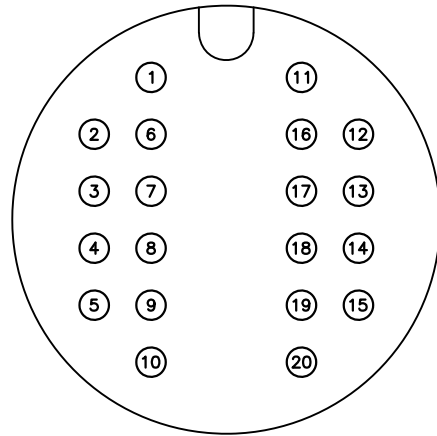
DRAWN	Emily Suen	APP'D	KU Chou	UNIT	mm	TOLERANCE		TITLE	WP D Size(M Conn. M PIN) Front Fastened(Lock Bayonet)-Circular			SHEET
CHK'D	KU Chou			SCALE	1:1	.x ±0.20 .xx ±0.10 .xxx ±0.05 .xxxx ±0.03 ANGULA ±1°		PART NO.	SEE TABLE A	DWG NO.	QC9369	VERSION
								NIAN YEONG ENTERPRISE 年永實業有限公司			1/2	
											A	

This document is the property of Nian-Yeong Corporation and is delivered on the express condition that it is not to be disclosed, reproduced or used, in whole or in part, for manufacture or sale by anyone other than Nian-Yeong Corporation without its prior consent, and that no right is granted to disclose or to use any information in this document.

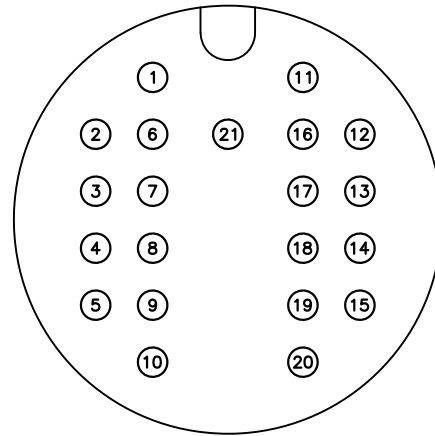
# CUSTOMER DRAWING

REV.	DESCRIPTION	APPROVED BY	DATE	ECN NO.
A	RELEASE	Ku Chou	14/11/18'	
B				
C				

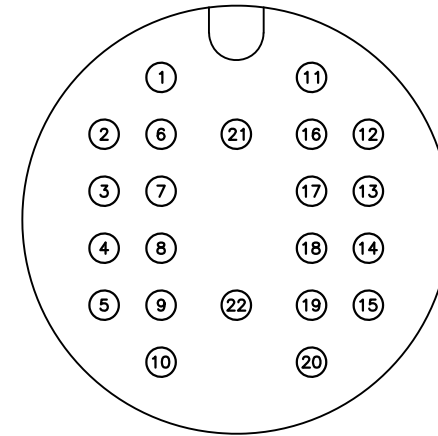
## TABLE A



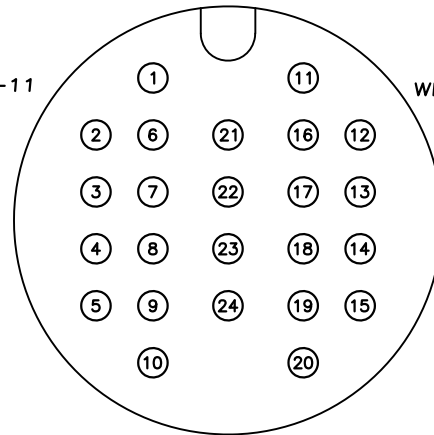
**20P**  
WP-20M2-01-11



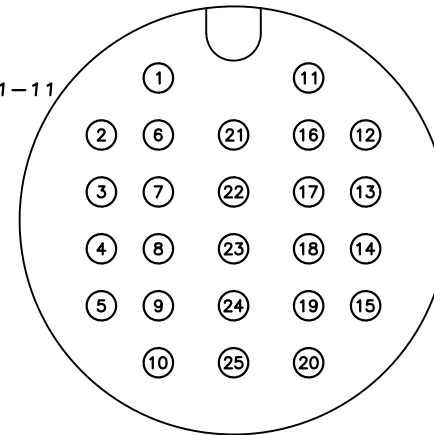
**21P**  
WP-21M2-01-11



**22P**  
WP-22M2-01-11



**24P**  
WP-24M2-01-11



**25P**  
WP-25M2-01-11

## PIN CONFIGURATION

DRAWN	Yeh Chou	APP'D	KU Chou	UNIT	mm	TOLERANCE		TITLE	WP D Size(M Conn. M PIN) Front Fastened(Lock Bayonet)-Circular			SHEET	
CHK'D	KU Chou			SCALE	1:1	.x ±0.20 .xx ±0.10 .xxx ±0.05 .xxxx ±0.03 ANGULA ±1°		PART NO.	SEE TABLE A	DWG NO.	QC9369	VERSION	

**NIAN YEONG ENTERPRISE**  
年永實業有限公司