

This document is the property of Nian-Yeong Corporation and is delivered on the express condition that it is not to be disclosed, reproduced or used, in whole or in part, for manufacture or sale by anyone other than Nian-Yeong Corporation without its prior consent, and that no right is granted to disclose or to use any information in this document.

CUSTOMER DRAWING

REV.	DESCRIPTION	APPL. BY	DATE	ECN NO.
A	RELEASE	Yeh Chou	27/03/09"	
B				
C				
D				

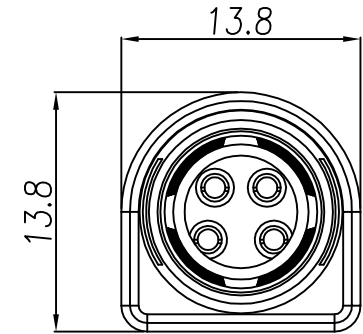
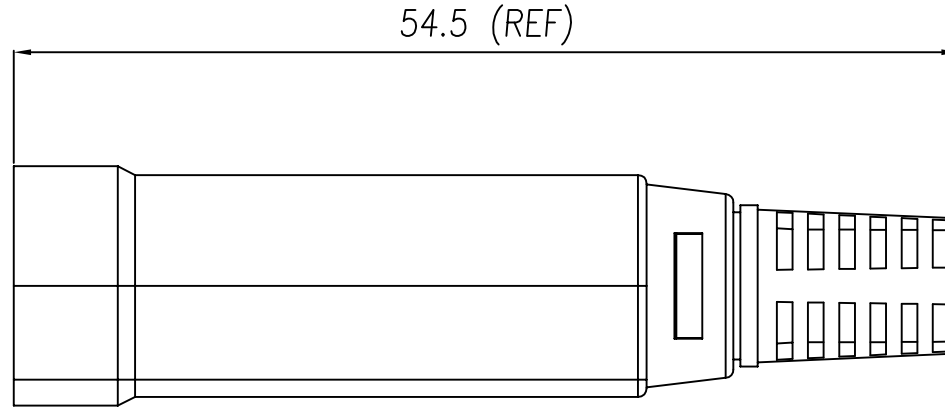
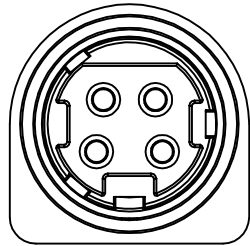


TABLE A

<p>PIN 1, PIN 2, PIN 3, PIN 4</p> <p>PD-04F2-23-01 PD-04F2-24-01</p>	<p>PIN 1, PIN 2, PIN 3</p> <p>PD-03F2-10-01 PD-03F2-11-01 PD-03F2-12-01</p>	
PD-04F2-24-01	6.5	16.3
PD-04F2-23-01	7.0	16.15
PD-03F2-10-01	7.0	16.15
PD-03F2-11-01	5.5	16.0
PD-03F2-12-01	6.5	16.3
PART NO	SR(OD)	SR(L)

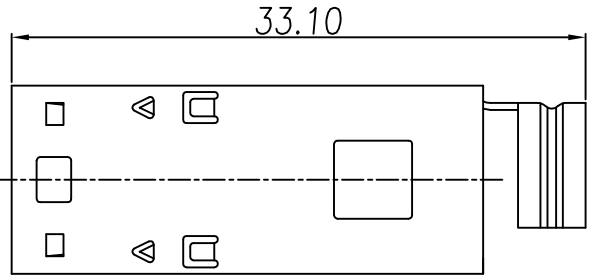
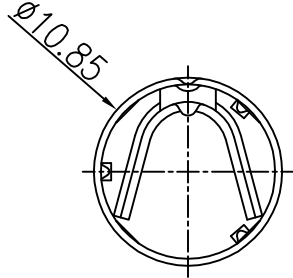
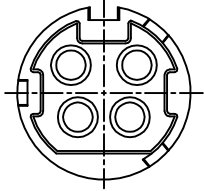
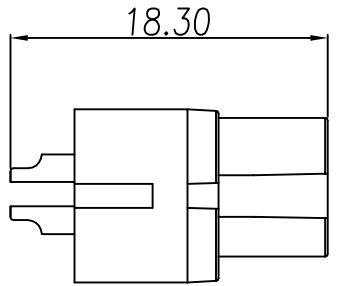
- MATERIAL :
 - 1-1. HOUSING : PBT UL94V-0 ; COLOR : BLACK
 - 1-2. CONTACT : PHOSPHOR BRONZE
 - 1-3. SHELL : BRASS
 - 1-4. BODY : ABS
 - 1-4. SR : PVC
- FINISH :
 - 2-1. CONTACT : TIN PLATING OVER NICKEL
 - 2-2. SHELL : NICKEL PLATED 60u" ~ 100u" OVER ALL
- ELECTRICAL SPECIFICATION :
 - 3-1. RATING CURRENT : 4P 7.5A
3P PIN1~2 7.5A
3P PIN3 1A
 - 3-2. RATING VOLTAGE : 20V DC
- ENVIRONMENTAL :
 - 4-1. OPERATION TEMPERATURE : -20 °C~85°C

DRAW	KU	APPVL	Emily Suen	UNIT	mm	TOLERANCE			<p>NIAN YEONG ENTERPRISE 年永實業有限公司</p>	TITLE	POWER DIN (F) 插頭式 OD:SEE TABLE A			SHEET
CHECK	Emily Suen			SCALE	1:1	.x ±0.20 .xx ±0.10 .xxx ±0.05 .xxxx ±0.01 ANGULA ±1°				PART NO.	SEE TABLE A	DWG NO.	QC9254	VERSION

This document is the property of Nian-Yeong Corporation and is delivered on the express condition that it is not to be disclosed, reproduced or used, in whole or in part, for manufacture or sale by anyone other than Nian-Yeong Corporation without its prior consent, and that no right is granted to disclose or to use any information in this document.

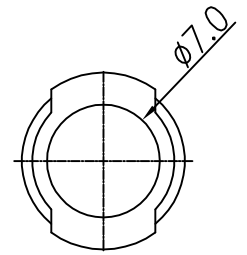
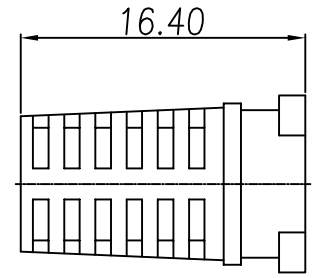
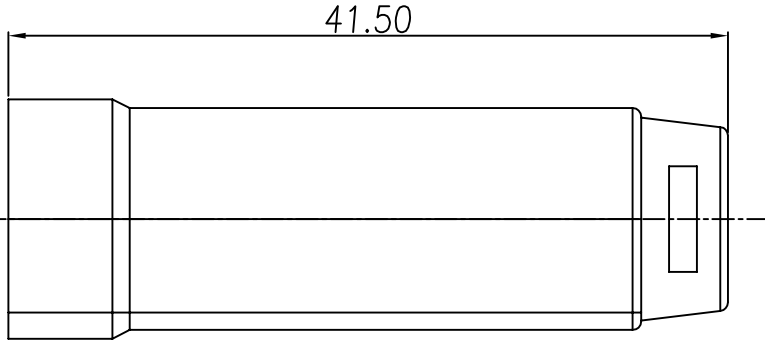
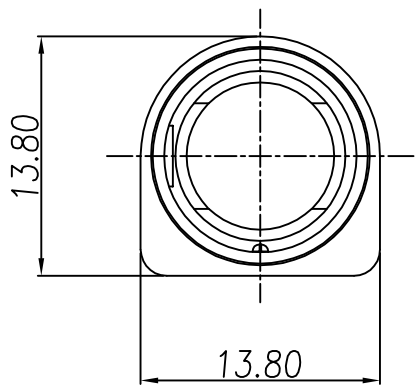
CUSTOMER DRAWING

REV.	DESCRIPTION	APPL. BY	DATE	ECN NO.
A	Release	Fideo Weng	27/03/09"	
B				
C				
D				



NY-DM882-01 (4P)
 NY-DM885-01 (3P)

OY-DM0810-00



ON-DM0531-01

ON-DM0072

- MATERIAL :
 - 1-1. HOUSING : PBT UL94V-0 ; COLOR : BLACK
 - 1-2. CONTACT : PHOSPHOR BRONZE
 - 1-3. SHELL : BRASS
 - 1-4. BODY : ABS
 - 1-4. SR : PVC
- FINISH :
 - 2-1. CONTACT : TIN PLATING OVER NICKEL
 - 2-2. SHELL : NICKEL PLATED 60u" ~ 100u" OVER ALL
- ELECTRICAL SPECIFICATION :
 - 3-1. RATING CURRENT : 4P 7.5A
 3P PIN1~2 7.5A
 3P PIN3 1A
 - 3-2. RATING VOLTAGE : 20V DC
- ENVIRONMENTAL :
 - 4-1. OPERATION TEMPERATURE : -20 °C~85°C

DRAW	KU	APPVL	Emily Suen	UNIT	mm	TOLERANCE		NIAN YEONG ENTERPRISE 年永實業有限公司	TITLE	POWER DIN 4P (F) 插頭式 OD7.0			SHEET	1
CHECK	Emily Suen			SCALE	1:1	.x ±0.20 .xx ±0.10 .xxx ±0.05 .xxxx ±0.01 ANGULA ±1°			PART NO.	PD-04F2-23-01	DWG NO.	QC9254	VERSION	1