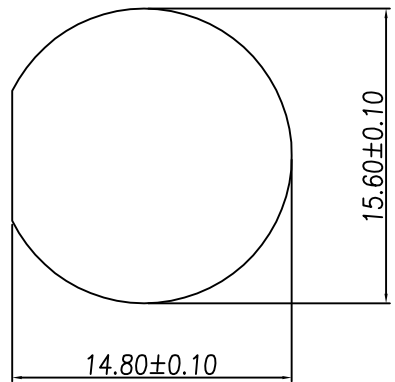
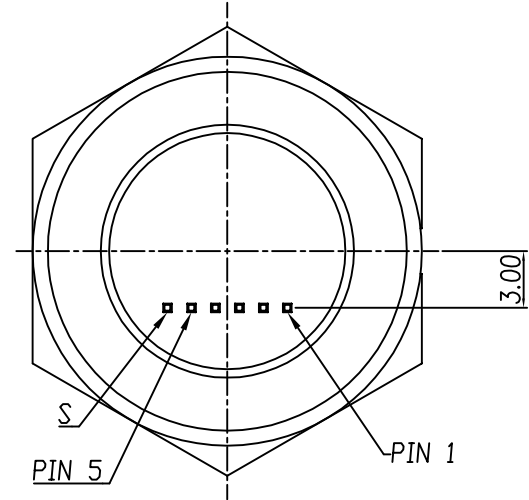
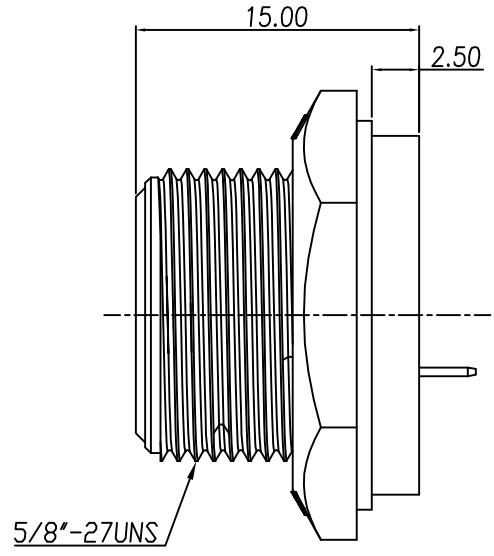
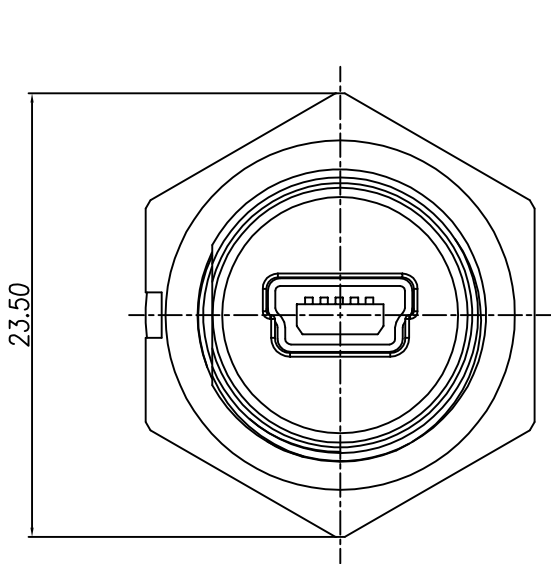


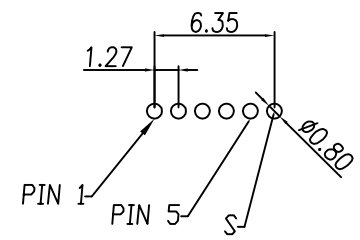
This document is the property of Nian-Yeong Corporation and is delivered on the express condition that it is not to be disclosed, reproduced or used, in whole or in part, for manufacture or sale by anyone other than Nian-Yeong Corporation without its prior consent, and that no right is granted to disclose or to use any information in this document.

CUSTOMER DRAWING

REV.	DESCRIPTION	APPVL. BY	DATE	ECN NO.
A	RELEASE	Ku Chou	11/06/19'	
B				
C				



Panel Cut-Out



P.C.B LAYOUT  
(TOP VIEW)

- MATERIAL :
  - 1-1. HOUSING : PBT UL94V-0 ; COLOR : BLACK.
  - 1-2. CONTACT : PHOSPHOR BRONZE
  - 1-3. SHELL : BRASS
  - 1-4. GROUND : SUS 301
  - 1-5. O-RING : SILICON ; COLOR : BLACK.
  - 1-6. NUT : PA66
  - 1-7. BODY : PA66
- FINISH :
  - 2-1. CONTACT : GOLD FLASH.
  - 2-3. SHELL : NICKEL PLTAE.
  - 2-3. SHELL : NICKEL PLTAE.
- ELECTRICAL SPECIFICATION :
  - 3-1. Rated current : 1.5A
  - 3-2. Rated Voltage : 125V
  - 3-3. Water proof : IPX7
- Environmental :
  - 4-1. Operation Temperature : -20℃~85℃

DRAWN	Yeh Chou	APP'D	Ku Chou	UNIT	mm	TOLERANCE				TITLE	Waterproof MINI USB 5P			SHEET	
CHECK	Ku Chou			SCALE	1:1	.x ±0.20 .xx ±0.10 .xxx ±0.05 .xxxx ±0.03 ANGULA ±1°				PART NO.	WP-05F2-181-11	DWG NO.	QC9300	VERSION	

NIAN YEONG ENTERPRISE  
年永實業有限公司