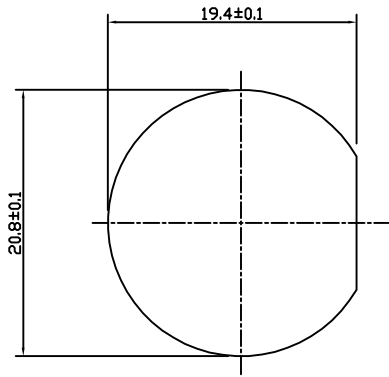


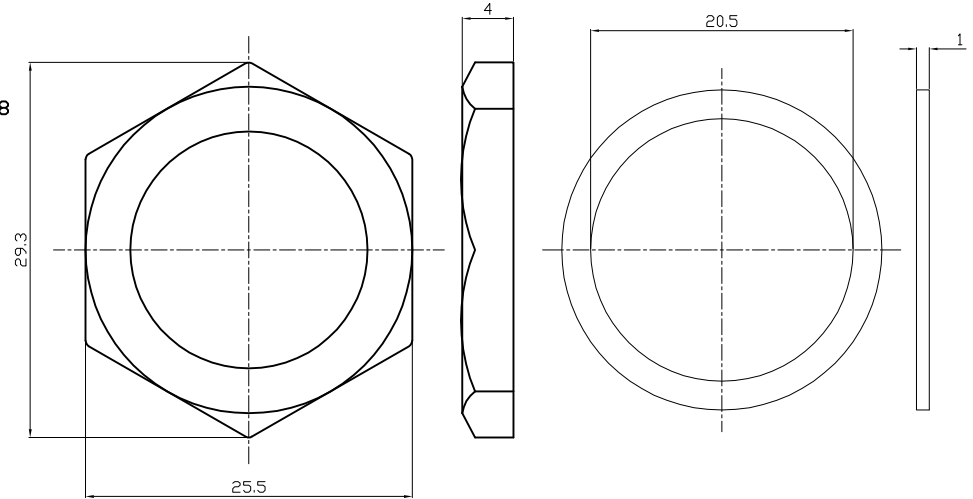
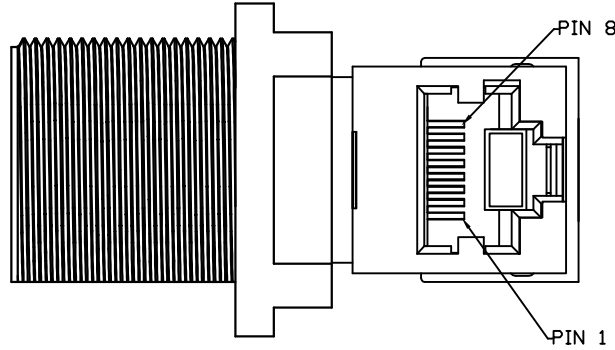
This document is the property of Nian-Yeong Corporation and is delivered on the express condition that it is not to be disclosed, reproduced or used, in whole or in part, for manufacture or sale by anyone other than Nian-Yeong Corporation without its prior consent, and that no right is granted to disclose or to use any information in this document.

CUSTOMER DRAWING

REV.	DESCRIPTION	APPROVED BY	DATE	ECN NO.
A	RELEASE	KU Chou	14/06/19*	
B				
C				

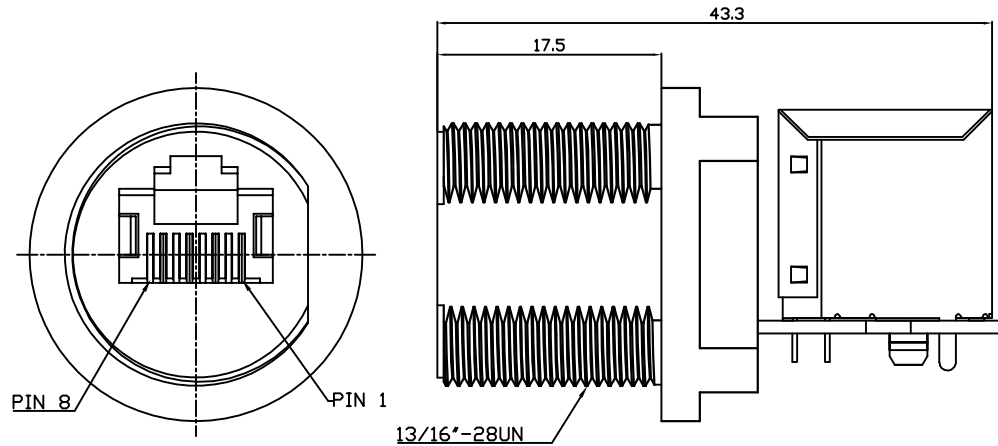


Recommended Panel Cut-Out



Nut

Gasket



1. MATERIAL :
 - 1-1. HOUSING : PBT UL94V-0 ; COLOR : BLACK.
 - 1-2. CONTACT : PHOSPHOR BRONZE
 - 1-3. SHELL : PA66 UL94V-0 ; COLOR : BLACK.
 - 1-4. GROUND : SUS
 - 1-5. GASKET : SILICON ; COLOR : GRAY BLACK.
 - 1-6. NUT : PA66
2. FINISH :
 - 2-1. CONTACT : GOLD PLATED
 - 2-2. GROUND : NICKEL PLTAEED.
3. ELECTRICAL SPECIFICATION :
 - 3-1. Rated current : 1.5A
 - 3-2. Rated voltage : 125V AC
 - 3-3. Water proof : IPX7
4. Environmental :
 - 4-1. Operation Temperature : -40°C~85°C

DRAWN	Yeh Chou	APP'D	KU Chou	UNIT	mm	TOLERANCE			TITLE	Waterproof RJ45 8PIN(F) 前鎖180°轉接頭-Screw Thread			SHEET	
CHK'D	KU Chou			SCALE	1:1	.x ±0.20 .xx ±0.10 .xxx ±0.05 .xxxx ±0.03 ANGULA ±1°			PART NO.	RJ-08F2-19-11	DWG NO.	QC9313	VERSION	

NIAN YEONG ENTERPRISE
年永實業有限公司