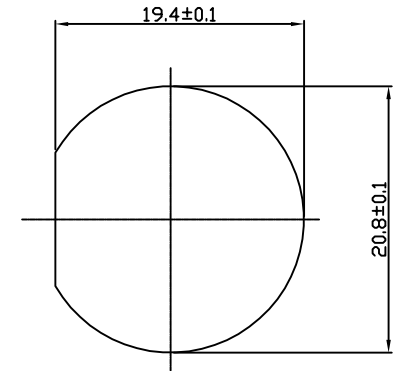
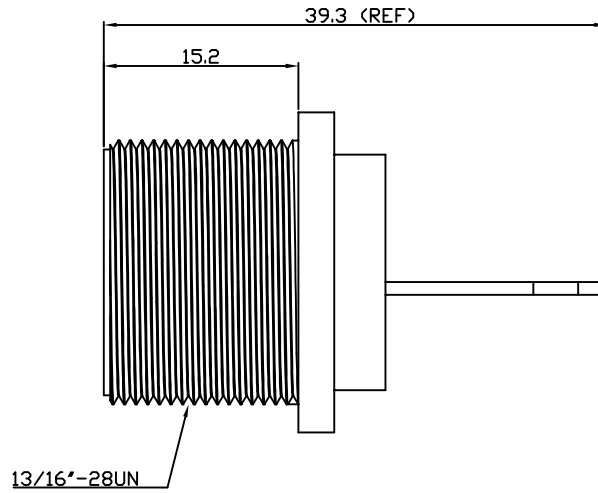
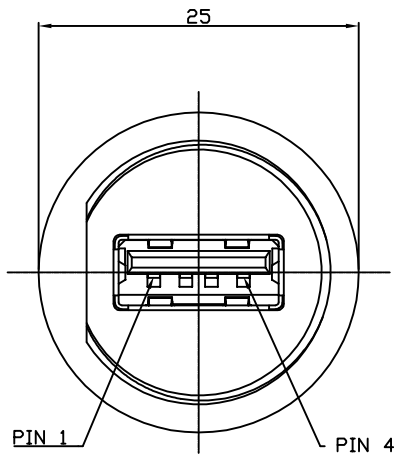


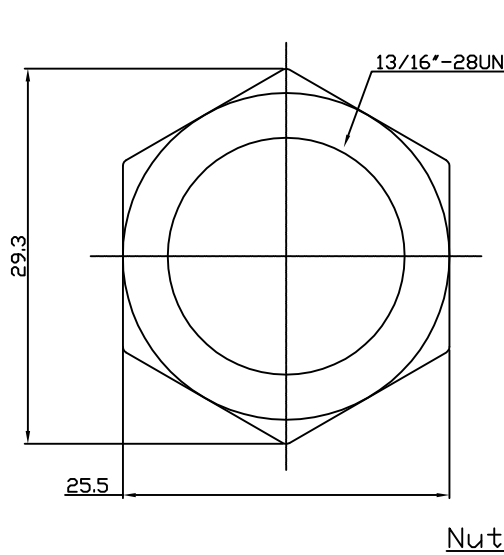
This document is the property of Nian-Yeong Corporation and is delivered on the express condition that it is not to be disclosed, reproduced or used, in whole or in part, for manufacture or sale by anyone other than Nian-Yeong Corporation without its prior consent, and that no right is granted to disclose or to use any information in this document.

CUSTOMER DRAWING

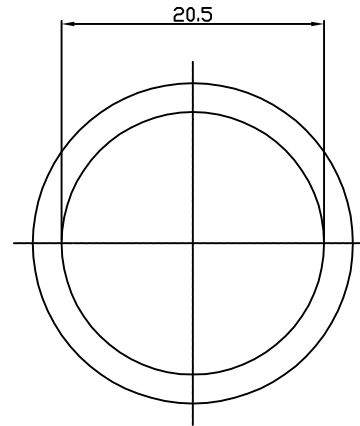
REV.	DESCRIPTION	APPROVED BY	DATE	ECN NO.
A	RELEASE	Yeh Chou	04/19/19*	
B				
C				



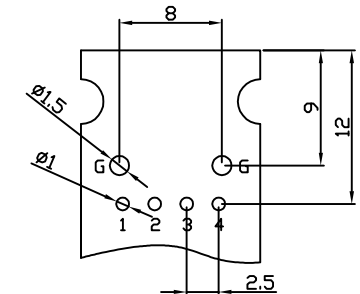
Recommended Panel Cut-Out



Nut



Gasket



P.C.B LAYOUT TOP VIEW

- MATERIAL :
 - 1-1. HOUSING : PBT UL94V-0 ; COLOR : BLACK.
 - 1-2. CONTACT : PHOSPHOR BRONZE
 - 1-3. SHELL : PA66 UL94V-0 ; COLOR : BLACK.
 - 1-4. GROUND : BRASS
 - 1-5. GASKET : SILICONE ; COLOR : GRAY BLACK.
 - 1-6. NUT : PA66
- FINISH :
 - 2-1. CONTACT : GOLD FLASH PLATED
 - 2-2. GROUND : NICKEL PLT AED.
- ELECTRICAL SPECIFICATION :
 - 3-1. Rated current : 1.5A
 - 3-2. Rated voltage : 250V AC
 - 3-3. Water proof : IPX7
- Environmental :
 - 4-1. Operation Temperature : -20°C~85°C

DRAWN	Yeh Chou	APP'D	KU Chou	UNIT	mm	TOLERANCE		TITLE	防水USB(F) 鑰匙(插頭)(帶PCB)			SHEET
CHK'D	KU Chou			SCALE	1:1	.x ±0.20 .xx ±0.10 .xxx ±0.05 .xxxx ±0.03 ANGULA ±1°		PART NO.	US-04F3-38-11	DWG NO.	QC9249	VERSION
NIAN YEONG ENTERPRISE 年永實業有限公司											A	