

This document is the property of Nian-Yeong Corporation and is delivered on the express condition that it is not to be disclosed, reproduced or used, in whole or in part, for manufacture or sale by anyone other than Nian-Yeong Corporation without its prior consent, and that no right is granted to disclose or to use any information in this document.

CUSTOMER DRAWING

REV.	DESCRIPTION	APPROVED BY	DATE	ECN NO.
A	RELEASE	Yeh Chou	19/09/18'	
B				
C				

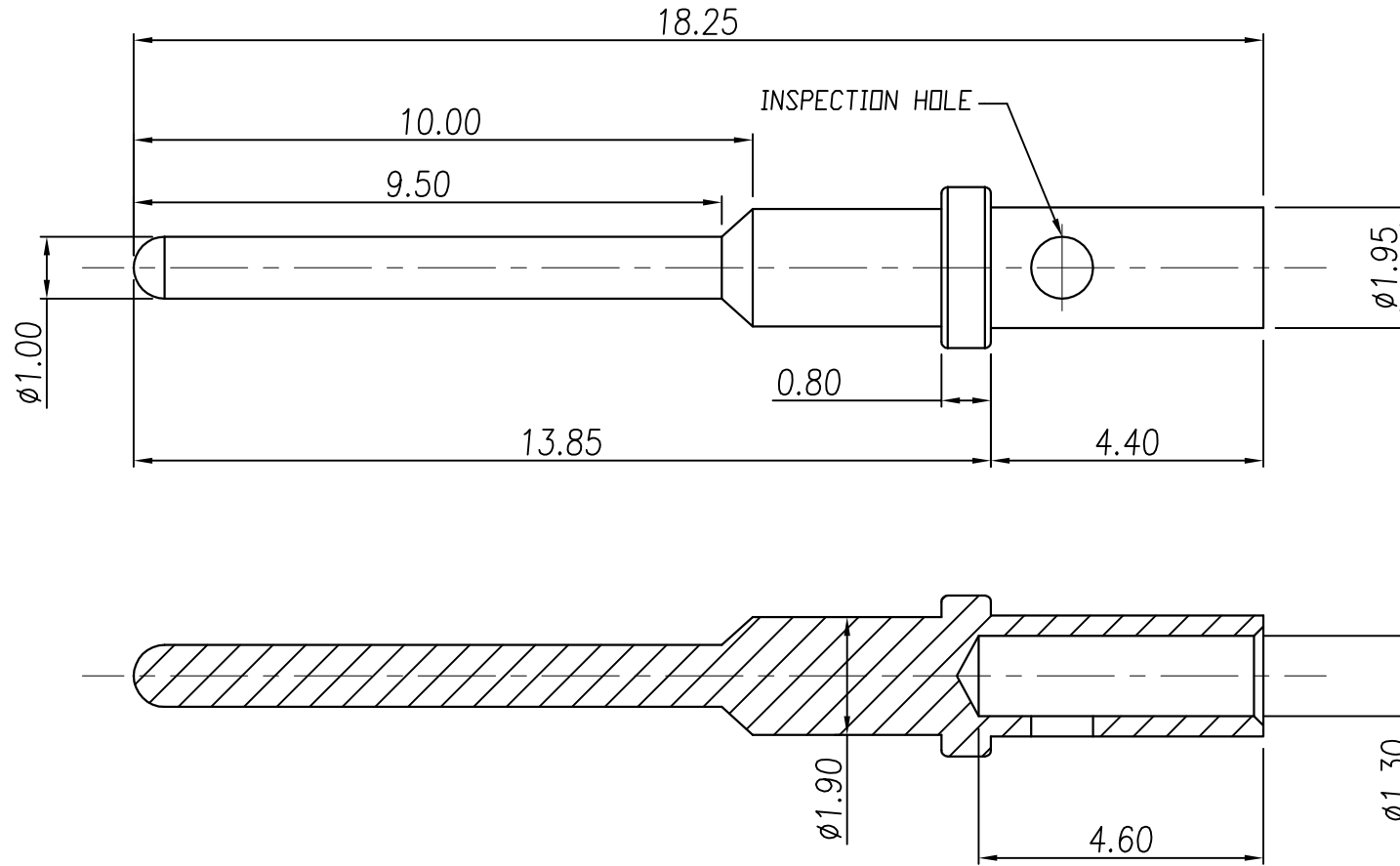


TABLE A

OY-WP01238-10	80~100u" NICKEL PLATED / 鍍鎳
OY-WP01239-10	10u" GOLD PLATED / 鍍金10u"
PART No.	FINISH

NOTE/備註:

- MATERIAL/材質 : BRASS/黃銅
- FINISH/後處理 : SEE TABLE A/見表A

DRAWN	Mark Kao	APPEND	Fido Weng	UNIT	mm	TOLERANCE			TITLE	CONTACT PIN SIZE 20 (M)/鍍鎳φ1.00/SOLDER TYPE(無焊口)			SHEET
CHOKED	Emily Suen	SCALE	1:1	TOLERANCE	.x ±0.20 .xx ±0.10 .xxx ±0.05 .xxxx ±0.03 ANGULA ±1°	PART NO.			SEE TABLE A	DWG NO.	QC8686	VERSION	A

NIAN YEONG ENTERPRISE
年永實業有限公司