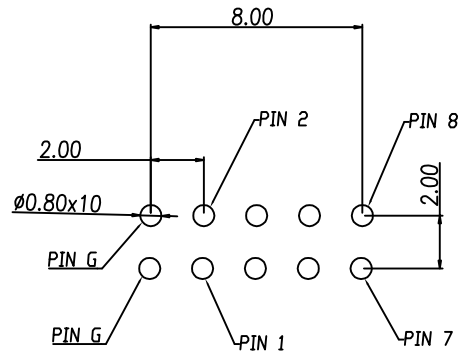


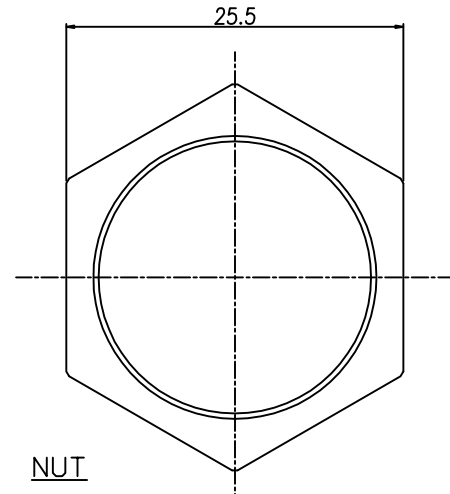
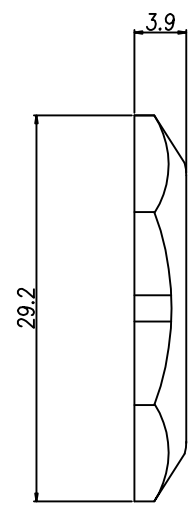
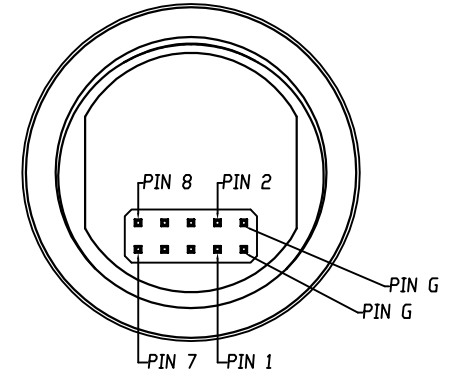
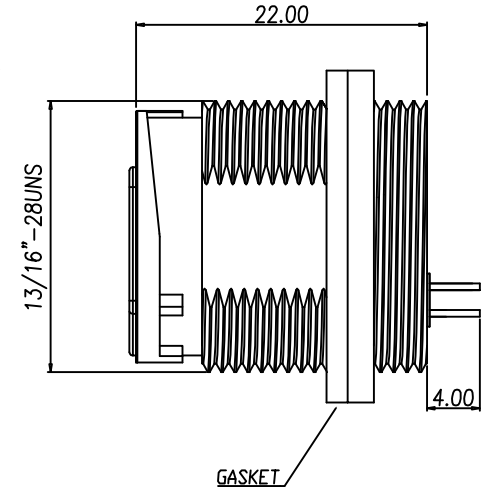
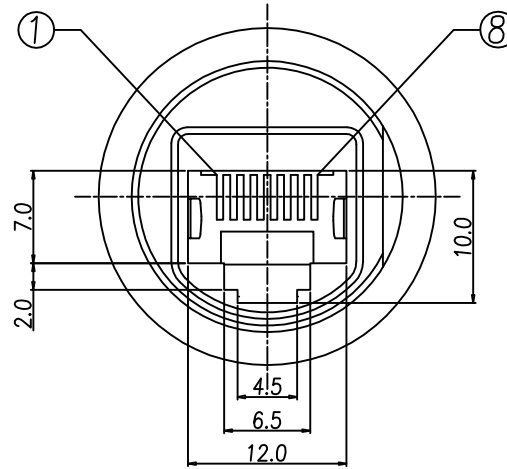
This document is the property of Nian-Yeong Corporation and is delivered on the express condition that it is not to be disclosed, reproduced or used, in whole or in part, for manufacture or sale by anyone other than Nian-Yeong Corporation without its prior consent, and that no right is granted to disclose or to use any information in this document.

CUSTOMER DRAWING

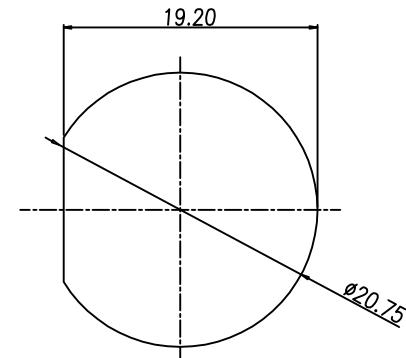
REV.	DESCRIPTION	APPVL. BY	DATE	ECN NO.
A	RELEASE	Yeh Chou		
B	MODIFY MATERIAL & FINISH	Yeh Chou	03/06/19*	
C	ADD BACK VIEW	Ku Chou	12/06/19*	



P.C.B LAYOUT (TOP VIEW)
SCALE 2:1



NUT



Panel Cut-Out

- B1. MATERIAL :**
 1-1. HOUSING : PBT UL94V-0 ; COLOR : BLACK.
 1-2. CONTACT : PHOSPHOR BRONZE
 1-3. SHELL : PA66
 1-4. GROUND : SUS 301
 1-5. GASKET : SILICONE ; COLOR : BLACK.
 1-6. NUT : PA66
- B2. FINISH :**
 2-1. CONTACT : GOLD FLASH MICRO INCHES MIN.
- 3. ELECTRICAL SPECIFICATION :**
 3-1. Rated current : 1.5A
 3-2. Rated Voltage : 125V
 3-3. Water proof : IPX7
- 4. Environmental :**
 4-1. Operation Temperature : -20°C~85°C

DRAWN	Yeh Chou	APP'D	Ku Chou	UNIT	mm	TOLERANCE		NIAN YEONG ENTERPRISE 年永實業有限公司	TITLE	防水RJ45 8PIN(F)(全線快鎖型) 180度			SHEET	1
CHK'D	Ku Chou	SCALE	1:1	TOLERANCE	.x ±0.20 .xx ±0.10 .xxx ±0.05 .xxxx ±0.03 ANGULA ±1°	PART NO.			RJ-08F2-15-11	DWG NO.	QC9131	VERSION	C	