

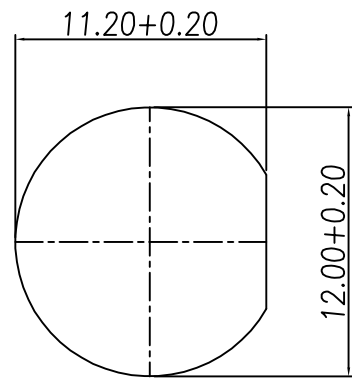
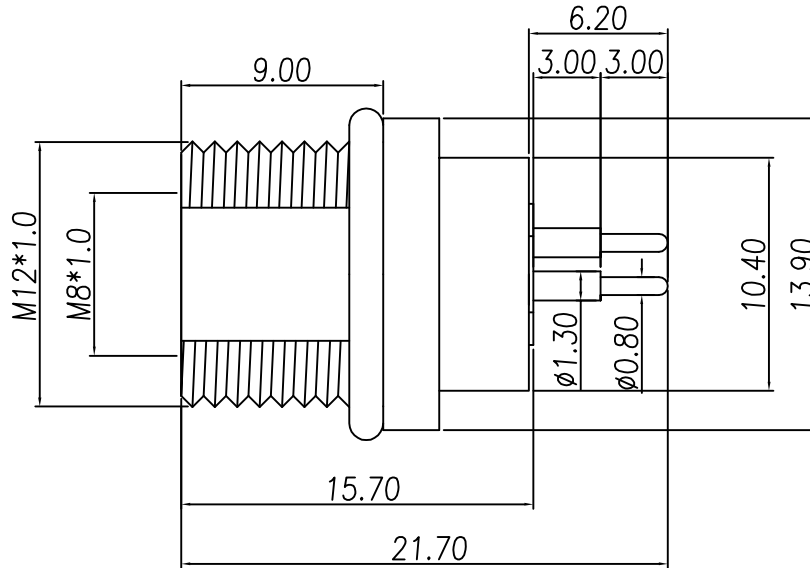
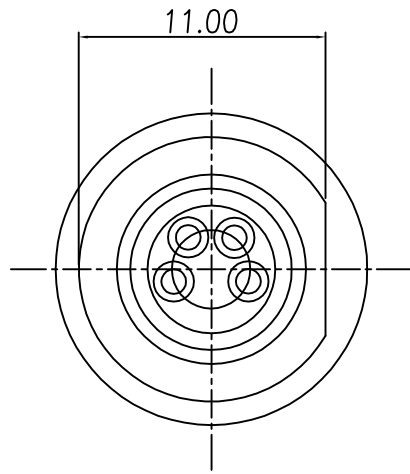
This document is the property of Nian-Yeong Corporation and is delivered on the express condition that it is not to be disclosed, reproduced or used, in whole or in part, for manufacture or sale by anyone other than Nian-Yeong Corporation without its prior consent, and that no right is granted to disclose or to use any information in this document.

# CUSTOMER DRAWING

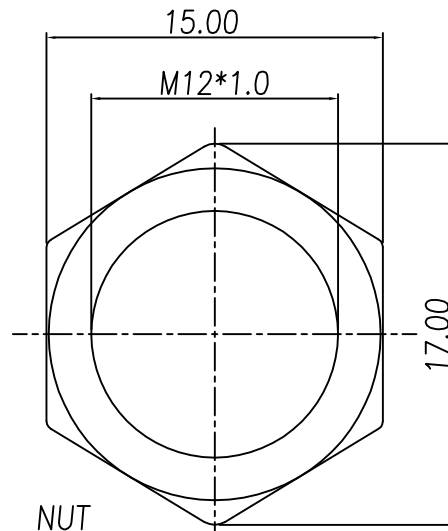
REV.	DESCRIPTION	APPVL. BY	DATE	ECN NO.
A	RELEASE	Fido Weng	12/02/09*	
B	MODIFY PCB LAYOUT	Ku Chou	31/05/19*	
C				

**NOTE.**

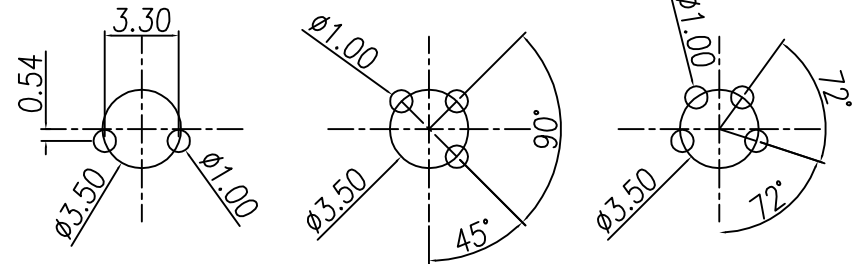
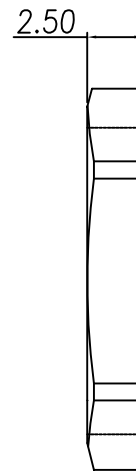
- MATERIAL :
  - HOUSING : PBT UL94V-0 ; COLOR : BLACK
  - CONTACT : BRASS
  - SHELL : BRASS
  - O-RING : NBR ; COLOR : BLACK
  - NUT : BRASS
- FINISH :
  - CONTACT :
    - CONTACT AREA : 10 MICRO INCHES MIN. GOLD PLATED
    - UNDER PLATE : NICKEL
  - SHELL : NICKEL PLATED.
  - NUT : NICKEL PLATED.
- ELETRICAL SPECIFICATION :
  - Rated current : 4A
  - Rated Voltage : 60V
  - Water proof : IPX7
- Environmental :
  - Operation Temperature : -20°C~85°C



PANEL CUT-OUT



NUT

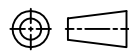


**RECOMMEND PCB LAYOUT**

TABLE A

WP-02F2-07	WP-03F2-15	WP-04F2-173-11

DRAW	Ku Chou	APPVL	Emily Suen	UNIT	mm	TOLERANCE
CHECK	Emily Suen			SCALE	1:1	.x ±0.20 .xx ±0.10 .xxx ±0.05 .xxxx ±0.03 ANGULA ±1°



**NIAN YEONG ENTERPRISE**  
年永實業有限公司

TITLE	M8 (F) 插式			SHEET	1
PART NO.	SEE TABLE A	DWG NO.	QC4043	VERSION	B