

This document is the property of Nian-Yeong Corporation and is delivered on the express condition that it is not to be disclosed, reproduced or used, in whole or in part, for manufacture or sale by anyone other than Nian-Yeong Corporation without its prior consent, and that no right is granted to disclose or to use any information in this document.

CUSTOMER DRAWING

REV.	DESCRIPTION	APPVL. BY	DATE	ECN NO.
A	RELEASE	Fido Weng	27/09/18'	
B	增加凹槽	Fido Weng	15/02/19'	
C	ADD PART No.	Fido Weng	02/04/19'	

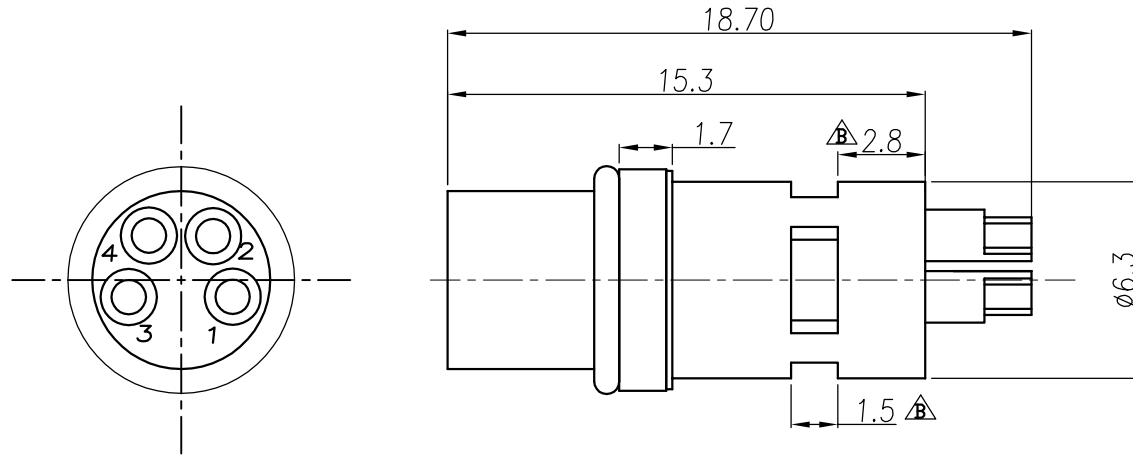
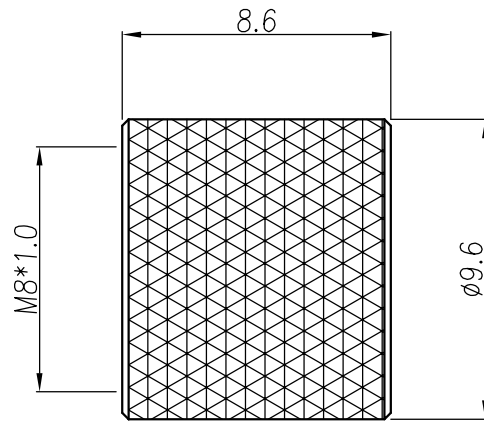
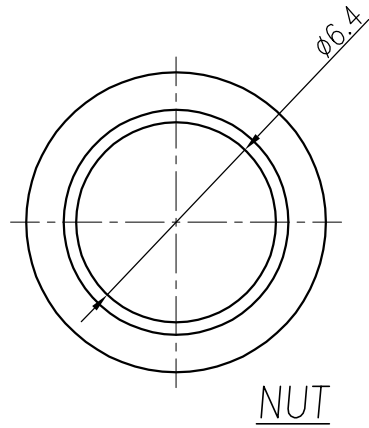


TABLE A

2PIN WP-02F2-78-11	3PIN WP-03F2-115-11	4PIN WP-04F2-210-11



NOTE

1. MATERIAL :
 - 1-1. HOUSING : PBT UL94V-0 ; COLOR : BLACK
 - 1-2. CONTACT : PHOSPHOR BRONZE
 - 1-3. NUT : BRASS
 - 1-4. GROUND : BRASS
 - 1-5. O-RING : NBR
2. FINISH :
 - 2-1. CONTACT A : 10 MICRO INCHES MIN. GOLD PLATED
UNDER PLATE : NICKEL
 - 2-2. NUT : NICKEL PLATED
 - 2-3. GROUND : NICKEL PLATED
3. ELECTRICAL SPECIFICATION :
 - 3-1. Rated current : 3A
 - 3-2. Rated Voltage : 30V
 - 3-3. Water proof : IPX7
4. Environmental :
 - 4-1. Operation Temperature : -20℃~85℃

DRAW	Mark Kao	APPVL	Emily Suen	UNIT	mm	TOLERANCE	NIAN YEONG ENTERPRISE 年永實業有限公司	TITLE	M8 (F)線端+接地部溝 螺母(L8.6)			SHEET	1 C
CHECK	Emily Suen			SCALE	1:1	.x ±0.20 .xx ±0.10 .xxx ±0.05 .xxxx ±0.03 ANGULA ±1°		PART NO.	SEE TABLE A	DWG NO.	QC8890	VERSION	