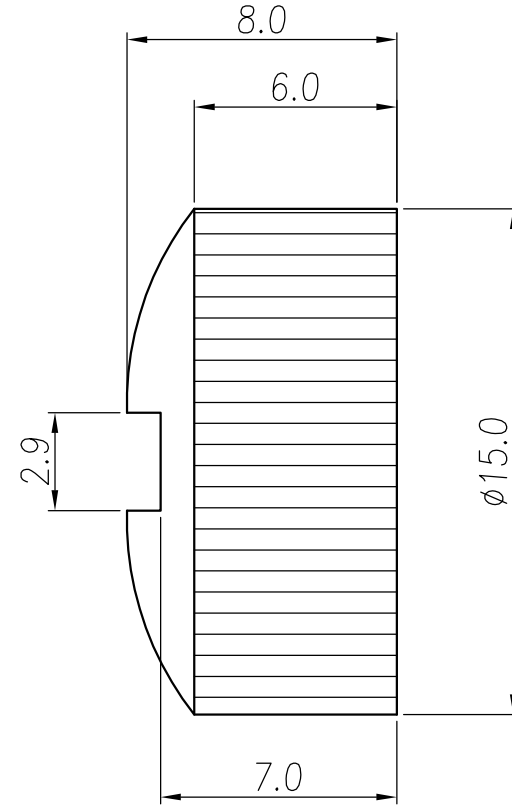
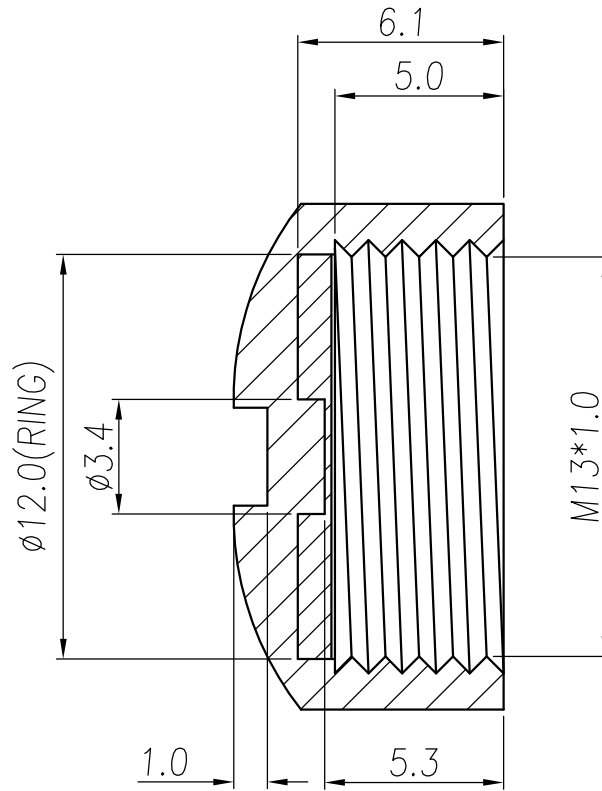
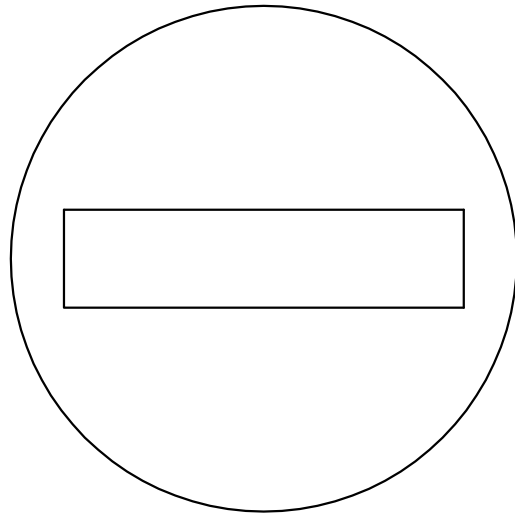


This document is the property of Nian-Yeong Corporation and is delivered on the express condition that it is not to be disclosed, reproduced or used, in whole or in part, for manufacture or sale by anyone other than Nian-Yeong Corporation without its prior consent, and that no right is granted to disclose or to use any information in this document.

CUSTOMER DRAWING

REV.	DESCRIPTION	APPROVED BY	DATE	ECN NO.
A	RELEASE	Fido Weng	21/03/14'	
B				
C				



1. MATERIAL :
- 1-1. HOUSING : PBT ; COLOR : BLACK.
 - 1-2. RING : SILICONE.

DRAWN	Ku Chou	APP'D	Emily Suen	UNIT	mm	TOLERANCE		TITLE	M13 塑膠防塵含油封(一字)			SHEET	
CHK'D	Emily Suen			SCALE	1:1	.x ±0.10 .xx ±0.05 .xxx ±0.03 .xxxx ±0.01 ANGULA ±1°		PART NO.	NY-WP619-01	DWG NO.	QC6608	VERSION	

NIAN YEONG ENTERPRISE
年永實業有限公司