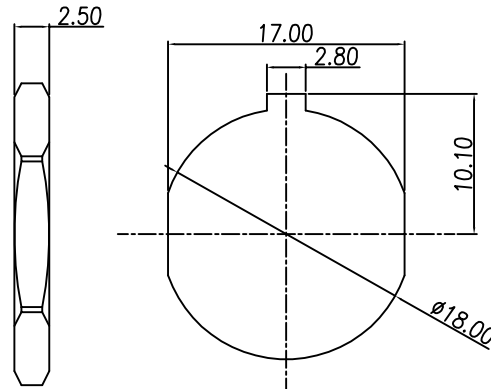
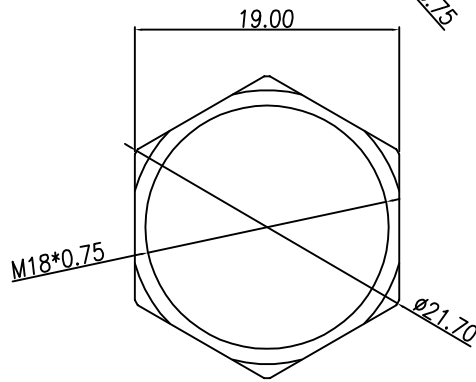
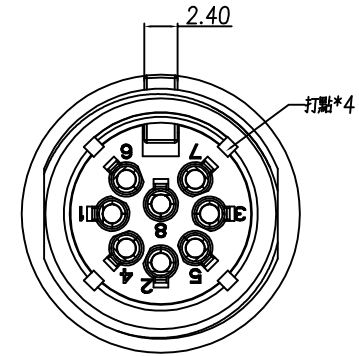
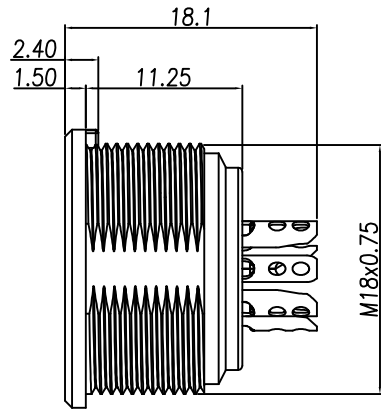
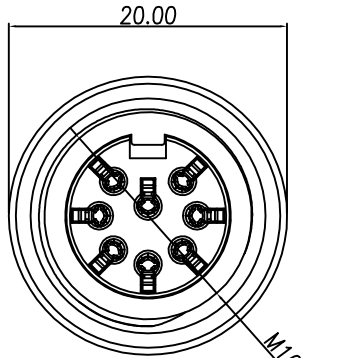


This document is the property of Nian-Yeong Corporation and is delivered on the express condition that it is not to be disclosed, reproduced or used, in whole or in part, for manufacture or sale by anyone other than Nian-Yeong Corporation without its prior consent, and that no right is granted to disclose or to use any information in this document.

# CUSTOMER DRAWING

REV.	DESCRIPTION	APPVL. BY	DATE	ECN NO.
A	RELEASE	Yeh Chou		
B	ADD PART NO.	KU	2019/03/13	
C	新增機	LED	2020/07/30	



- MATERIAL :
  - HOUSING : NYLON UL94V-0 ; COLOR : BLACK
  - CONTACT : PHOSPHOR BRONZE
  - SHELL : Zn ALLOY
  - NUT : BRASS
- FINISH :
  - CONTACT : GOLD FLASH MICRO INCHES MIN.
  - NUT : NICKEL PLTAE.
  - SHELL : NICKEL PLTAE.
- ELECTRICAL SPECIFICATION :
  - Rated current(40°C): 5A
  - Rated Voltage : 250V
- Environmental :
  - Operation Temperature : -40°C~85°C

NUT

Panel Cut-Out

Part No.	Diagram	Part No.	Diagram	Part No.	Diagram	Part No.	Diagram	Part No.	Diagram	Part No.	Diagram	Part No.	Diagram	Part No.	Diagram	Part No.	Diagram	
DI-03F2-11-11		DI-04F2-17-11		DI-05F2-14-11		DI-05F2-22-11		DI-06F2-21-11		DI-07F2-21-11		DI-07F2-14-11		DI-08F2-14-11				

DRAWN	Yeh Chou	APP'D	Ku Chou	UNIT	mm	TOLERANCE			TITLE	Din 8P Female screw locking rear mounting Hex nuts			SHEET	1
CHK'D	Ku Chou			SCALE	1:1	.x ±0.20 .xx ±0.10 .xxx ±0.05 .xxxx ±0.03 ANGULA ±1°			PART NO.	SEE TABLE A	DWG NO.	QC7930	VERSION	C

**NIAN YEONG ENTERPRISE**  
年永實業有限公司