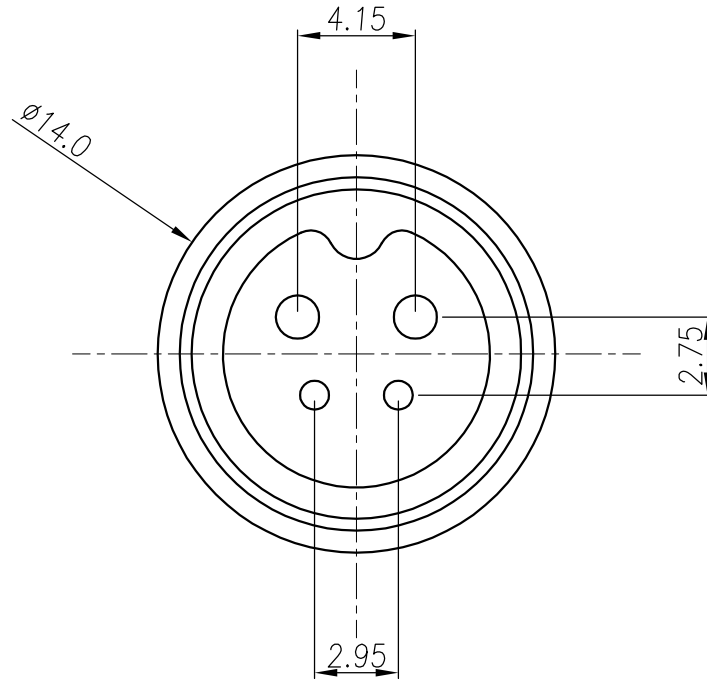
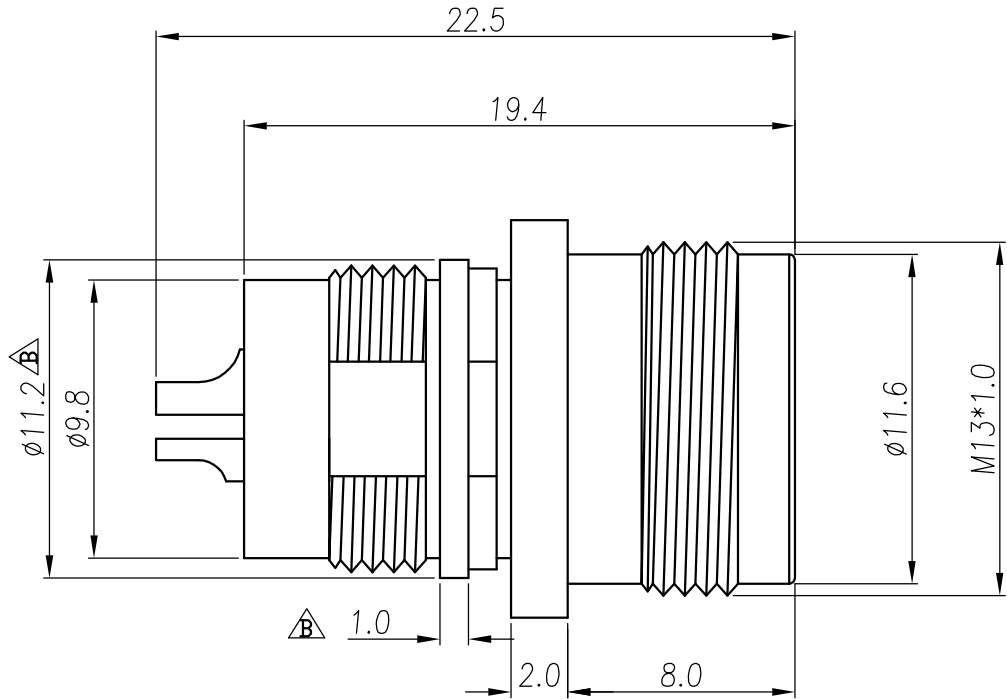


This document is the property of Nian-Yeong Corporation and is delivered on the express condition that it is not to be disclosed, reproduced or used, in whole or in part, for manufacture or sale by anyone other than Nian-Yeong Corporation without its prior consent, and that no right is granted to disclose or to use any information in this document.

CUSTOMER DRAWING

REV.	DESCRIPTION	APPROVED BY	DATE	ECN NO.
A	RELEASE	Fido Weng	07/05/12'	
B	外觀&材質改變	Fido Weng	11/11/12'	ECN13007
C				



1. MATERIAL :
 - 1-1. HOUSING : PBT ; COLOR : SEE TABLE A $\triangle B$
 - 1-2. CONTACT : BRASS.
2. FINISH :
 - 2-1. CONTACT : SEE TABLE A
3. ELECTRICAL SPECIFICATION :
 - 3-1. Rated current : 10A & 3A
 - 3-2. Rated Voltage : 125V
 - 3-3. Water proof : IP67
4. Environmental :
 - 4-1. Operation Temperature : $-20^{\circ}\text{C} \sim 85^{\circ}\text{C}$

TABLE A/表A

WP-04M2-142-11	GOLD FLASH	BLACK
WP-04M2-76	GOLD FLASH	WHITE
WP-04M2-77	NICKEL PLATED	WHITE
PART NO.	PLATED<CONTACT>	COLOR<HOUSING>

DRAWN	Ku Chou	APPEND	Emily Suen	UNIT	mm	TOLERANCE	NIAN YEONG ENTERPRISE 年永實業有限公司		TITLE	防水頭M13 4pin (M) 2+2 線端焊線式	SHEET			
CHOKED	Emily Suen			SCALE	1:1	.x ±0.20 .xx ±0.10 .xxx ±0.05 .xxxx ±0.03 ANGULA ±1°			PART NO.	SEE TABLE A	DWG NO.	QC5938	VERSION	B