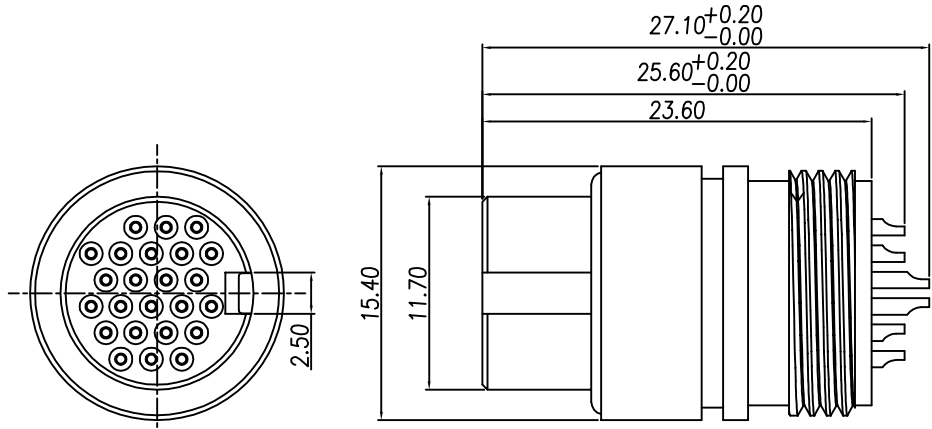


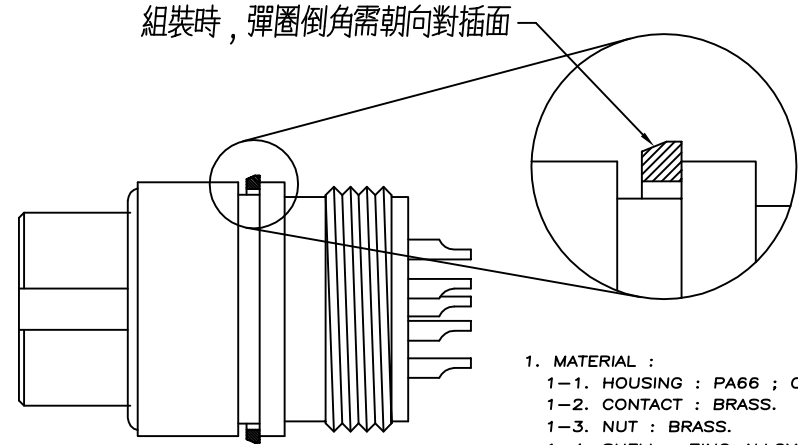
This document is the property of Nian-Yeong Corporation and is delivered on the express condition that it is not to be disclosed, reproduced or used, in whole or in part, for manufacture or sale by anyone other than Nian-Yeong Corporation without its prior consent, and that no right is granted to disclose or to use any information in this document.

CUSTOMER DRAWING

| REV. | DESCRIPTION | APPROVED BY | DATE | ECN NO. |
|------|-------------|-------------|-----------|---------|
| A | RELEASE | Fido Weng | | |
| B | 改變彈圈結構 | Ku Chou | 09/05/19* | |
| C | | | | |
| D | | | | |

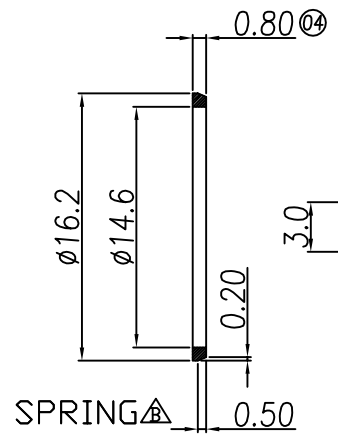


HOUSING & SHELL1 & CONTACT & O-RING

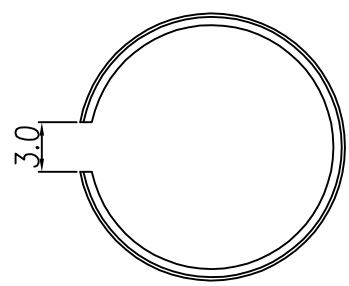


ASS'Y

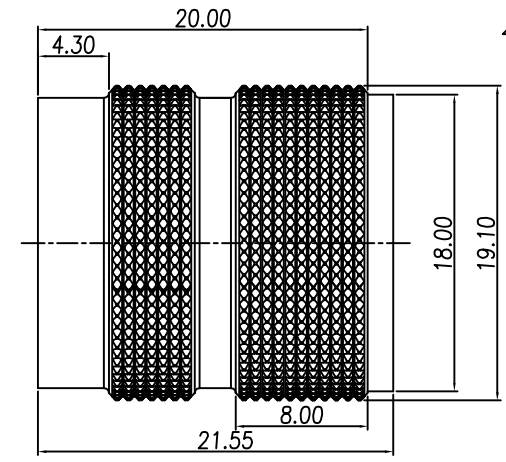
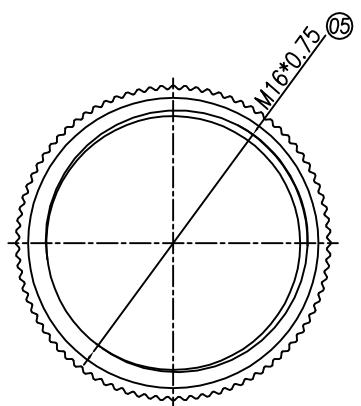
1. MATERIAL :
- 1-1. HOUSING : PA66 ; COLOR : BLACK.
 - 1-2. CONTACT : BRASS.
 - 1-3. NUT : BRASS.
 - 1-4. SHELL : ZINC ALLOY
 - 1-5. SPRING : STAINLESS STEEL.
 - 1-6. O-RING : EPDM
2. FINISH :
- 2-1. CONTACT : GOLD FLASH MICRO INCHES MIN.
 - 2-2. NUT : NICKEL PLATED OVER ALL
 - 2-3. SHELL : NICKEL PLATED OVER ALL
3. ELECTRICAL SPECIFICATION :
- 3-1. Rated current : 1A
 - 3-2. Rated voltage : 60V
 - 3-3. Water proof : IP67
4. Environmental :
- 4-1. Operation Temperature : -40°C~85°C



SPRING



NUT



| | | | | | | | | | | | | |
|-------|------------|--------|------------|-------|-----|--|--|----------|------------------------|---------|--------|---------|
| DRAWN | LEO | APPEND | Emily Suen | UNIT | mm | TOLERANCE | | TITLE | 防水 DIN 24(F) 線端成型式(表金) | | | SHEET |
| CHK'D | Emily Suen | | | SCALE | 1:1 | .x ±0.20 .xx ±0.10 .xxx ±0.05 .xxxx ±0.03 ANGULA ±1° | | PART NO. | DI-24F1-01-11 | DWG NO. | QC8957 | VERSION |
| | | | | | | | | 年永實業有限公司 | | | | B |