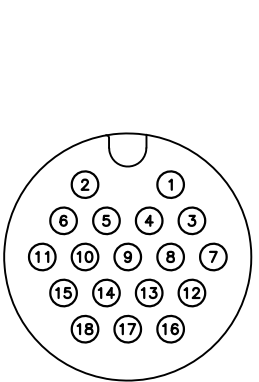


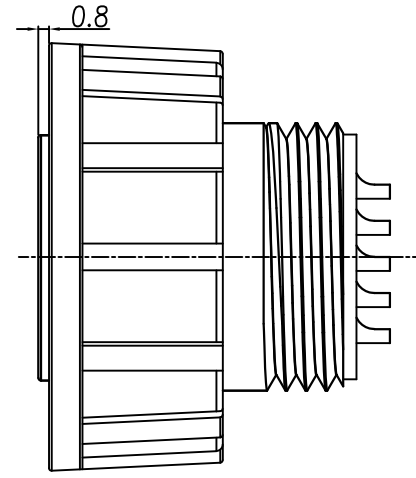
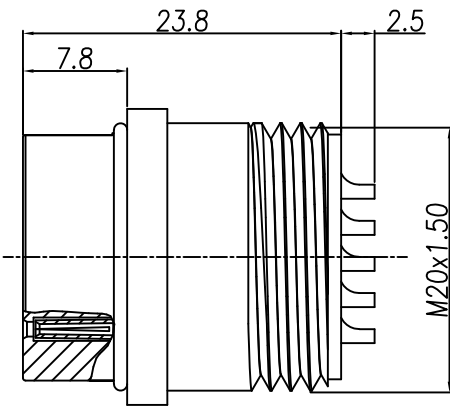
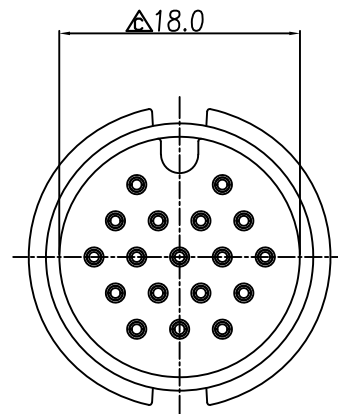
This document is the property of Nian-Yeong Corporation and is delivered on the express condition that it is not to be disclosed, reproduced or used, in whole or in part, for manufacture or sale by anyone other than Nian-Yeong Corporation without its prior consent, and that no right is granted to disclose or to use any information in this document.

CUSTOMER DRAWING

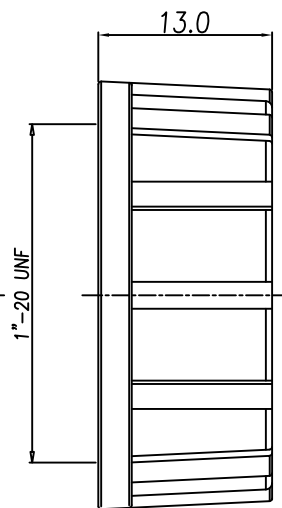
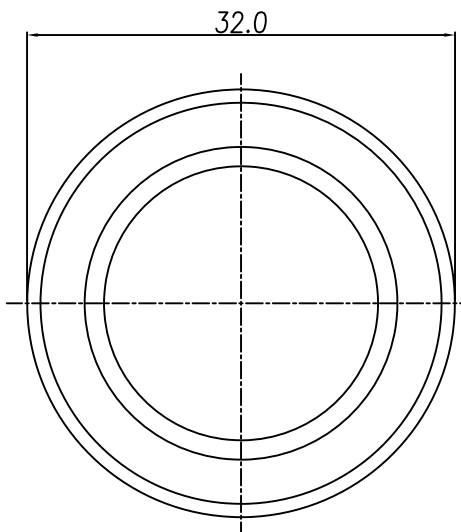
REV.	DESCRIPTION	APPROVED BY	DATE	ECN NO.
A	RELEASE	Yeh Chou	2017/09/07	
B	增加視圖 & 修正尺寸, O-RING材質與電度規格	KU Chou	02/05/18'	
C	變更尺寸	LED	13/12/22'	ECN-22025
D				



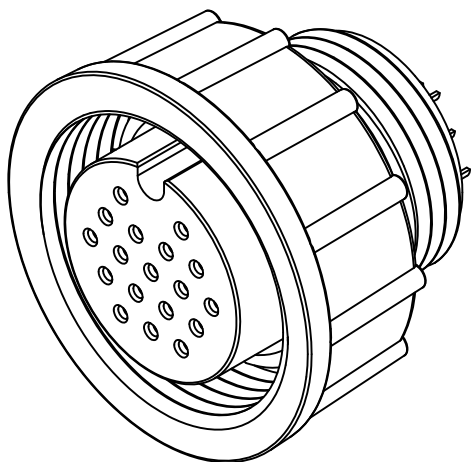
PIN CONFIGURATION



ASS'Y



NUT



- MATERIAL :
  - 1-1. HOUSING : PA66 UL94V-0 ; COLOR : BLACK
  - 1-2. CONTACT : BRASS
  - 1-3. O-RING : SILICONE
  - 1-4. NUT : PA66 UL94V-0 ; COLOR : BLACK
- FINISH :
  - 2-1. CONTACT : GOLD FLASH PLATED
- ELECTRICAL SPECIFICATION :
  - 3-1. RATED CURRENT: 5A
  - 3-2. RATED VOLTAGE : 300V
  - 3-3. WATER PROOF: IP67
- ENVIRONMENTAL :
  - 4-1. OPERATION TEMPERATURE : -20°C~80°C

DRAWN	Yeh Chou	APP'D	KU Chou	UNIT	mm	TOLERANCE		TITLE	D SIZE 18P (FEMALE PIN) 線圖			SHEET
CHK'D	KU Chou			SCALE	1:1	.x ±0.20 .xx ±0.10 .xxx ±0.05 .xxxx ±0.03 ANGULA ±1°		PART NO.	WP-18F2-14-11	DWG NO.	QC8004	VERSION

NIAN YEONG ENTERPRISE  
年永實業有限公司