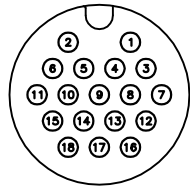


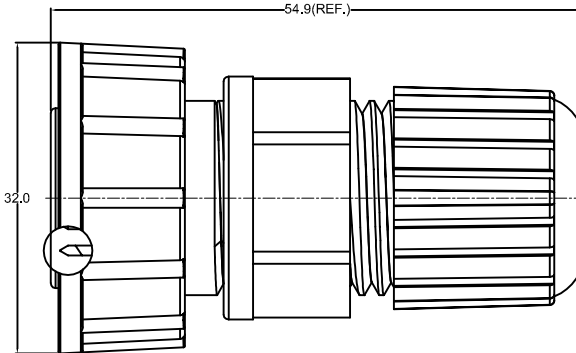
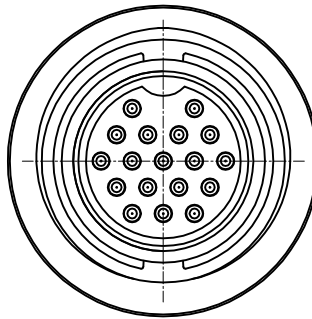
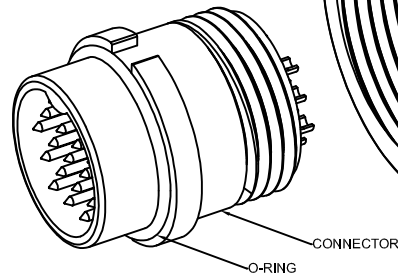
This document is the property of Nian-Yeong Corporation and is delivered on the express condition that it is not to be disclosed, reproduced or used, in whole or in part, for manufacture or sale by anyone other than Nian-Yeong Corporation without its prior consent, and that no right is granted to disclose or to use any information in this document.

# CUSTOMER DRAWING

REV.	DESCRIPTION	APPROVED BY	DATE	ECN NO.
A	RELEASE	Ku Chou	21/11/18*	
B	CHANGE RATED VOLTAGE	Ku Chou	13/12/18*	
C				



Pin Assignments  
Front View



### 1. MATERIAL :

- 1-1. HOUSING : PA66
- 1-2. CONTACT : BRASS
- 1-3. O-RING : SILICONE
- 1-4. SCREW NUT : PA66
- 1-5. GASKET : SILICONE
- 1-6. CLAMP RING : PA66
- 1-7. SEAL : SILICONE  
SEAL FOR CABLE OD $\phi$ 5.5mm ~10.8mm
- 1-8. SEALING NUT : PA66

### 2. FINISH :

- 2-1. CONTACT : GOLD FLASH PLATED.

### 3. ELECTRICAL SPECIFICATION :

- 3-1. Rated current : 5A
- 3-2. Rated Voltage : 300V
- 3-3. Water proof : IP67

### 4. Environmental :

- 4-1. Operation Temperature : -40 $^{\circ}$ C~105 $^{\circ}$ C

DRAWN	Emily Suen	APP'D	Ku Chou	UNIT	mm	TOLERANCE			TITLE	WP F CONN. M PIN 18PIN D SIZE ASSEMBLY TYPE(SCREW)-5A			SHEET
CHK'D	Ku Chou			SCALE	1:1	.x $\pm 0.20$ .xx $\pm 0.10$ .xxx $\pm 0.05$ .xxxx $\pm 0.03$ ANGULAR $\pm 1^{\circ}$			PART NO.	WP-18M2-17-11	DWG NO.	QC8787	VERSION
												B	