

This document is the property of Nian-Yeong Corporation and is delivered on the express condition that it is not to be disclosed, reproduced or used, in whole or in part, for manufacture or sale by anyone other than Nian-Yeong Corporation without its prior consent, and that no right is granted to disclose or to use any information in this document.

CUSTOMER DRAWING

REV.	DESCRIPTION	APPROVED BY	DATE	ECN NO.
A	RELEASE	Fido Weng	08/07/13*	
B				
C				

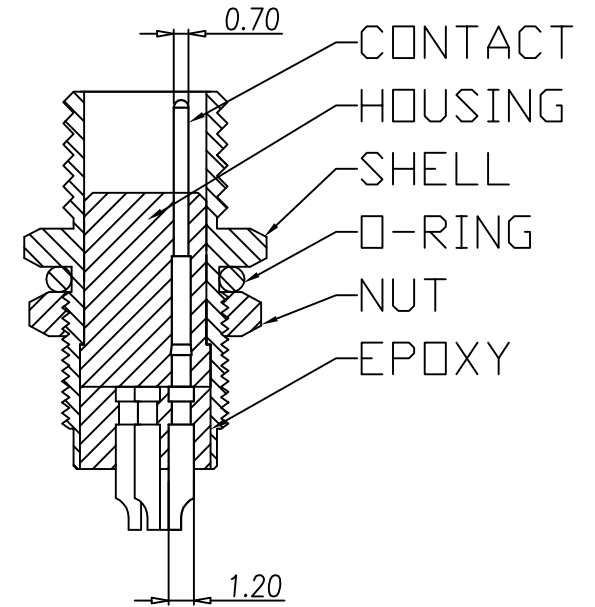
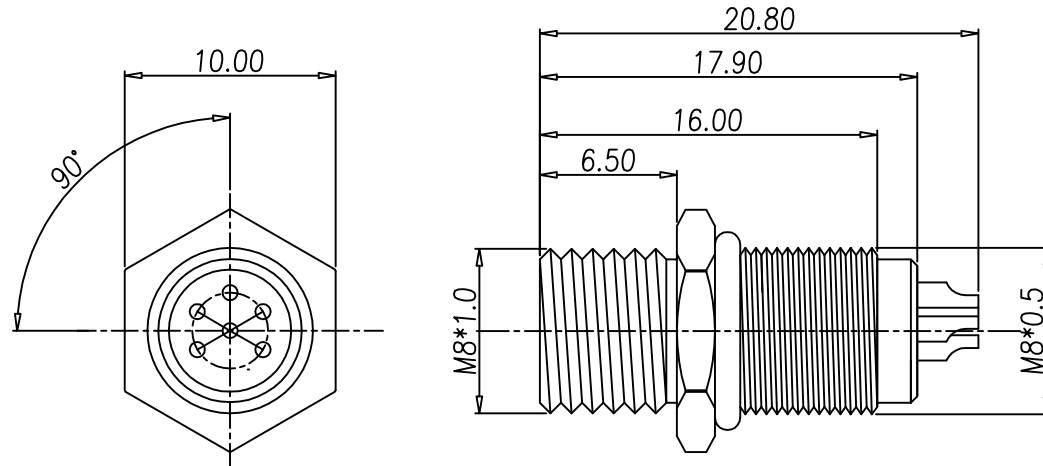
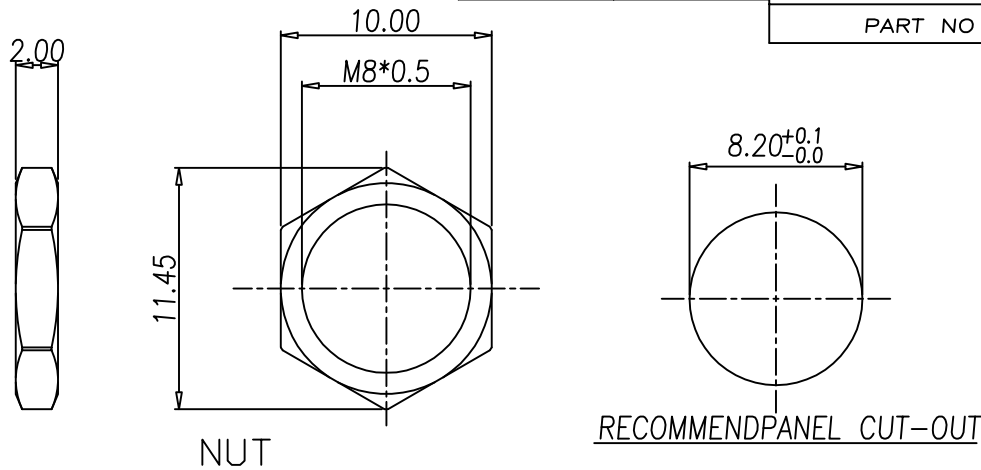


TABLE A

		WP-06M2-48-11	GOLD 10u"
		WP-05M2-101-11	GOLD 10u"
		WP-06M2-30-11	GOLD FLASH
		WP-05M2-73-11	GOLD FLASH
		PART NO	FINISH



- MATERIAL :
 - HOUSING : PBT ; COLOR : BLACK
 - CONTACT : BRASS.
 - SHELL : BRASS
 - O-RING : NBR ; COLOR : BLACK
 - NUT : BRASS.
- FINISH :
 - CONTACT : GOLD PLATING
 - SHELL : NICKEL PLATED.
 - NUT : NICKEL PLATED.
- ELECTRICAL SPECIFICATION :
 - Rated current : 1.5A
 - Rated Voltage : 30V
 - Water proof : IP67
- Environmental :
 - Operation Temperature : -40°C~105°C

DRAWN	Ku Chou	APP'D	Fido Weng	UNIT	mm	TOLERANCE			TITLE	M8-6P(M) 6P(M) (M8*0.5) 6P(M) 式			SHEET	
CHK'D	Emily Suen			SCALE	1:1	.x ±0.20 .xx ±0.10 .xxx ±0.05 .xxxx ±0.03 ANGULA ±1°			PART NO.	SEE TABLE A	DWG NO.	QC6258	VERSION	

NIAN YEONG ENTERPRISE
年永實業有限公司