

This document is the property of Nian-Yeong Corporation and is delivered on the express condition that it is not to be disclosed, reproduced or used, in whole or in part, for manufacture or sale by anyone other than Nian-Yeong Corporation without its prior consent, and that no right is granted to disclose or to use any information in this document.

CUSTOMER DRAWING

REV.	DESCRIPTION	APPROVED BY	DATE	ECN NO.
B	CHANGE BOM	Ku Chou	10/09/18*	
C	ADD PART No.	Ku Chou	23/10/18*	
D	CHANGE CLAMP RING MATERIAL	Ku Chou	30/10/18*	

TABLE A

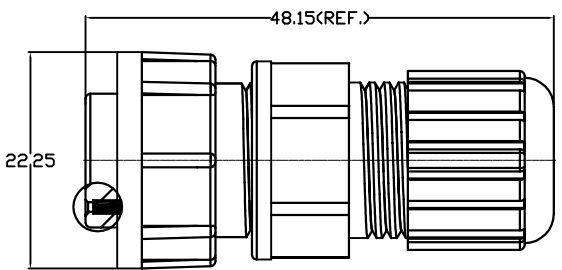
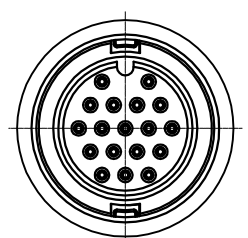
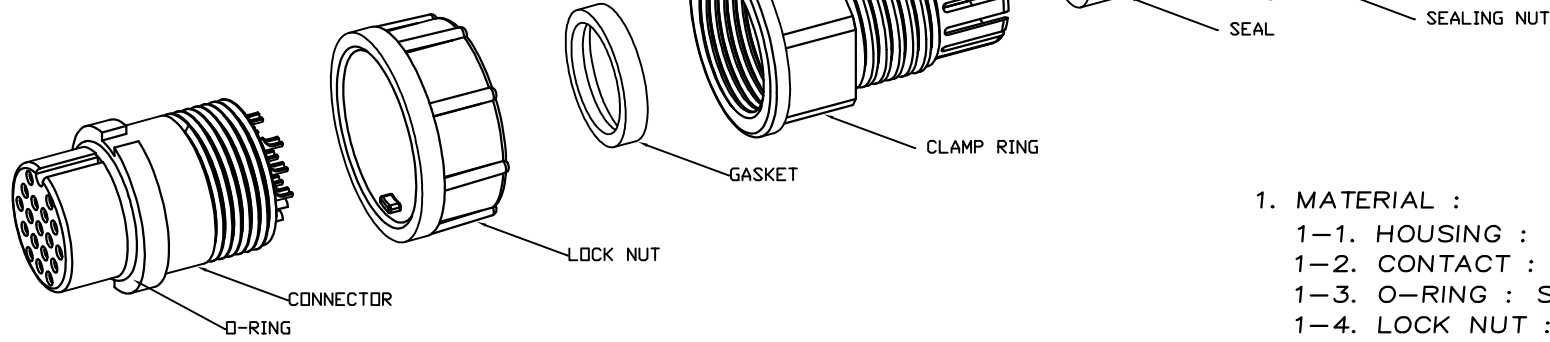
10 PIN	18 PIN	20 PIN
	WP-18F2-15-11	WP-20F2-02-11

Pin Assignments(Front View)

TABLE A

P/N	CABLE ODφ	
	φ8.6mm~φ9.6mm	φ6.5mm~φ7.6mm
WP-18F2-15-11	V	V
WP-20F2-02-11	V	

⚠



- MATERIAL :
  - 1-1. HOUSING : PA66
  - 1-2. CONTACT : BRASS
  - 1-3. O-RING : SILICONE
  - 1-4. LOCK NUT : PA66
  - 1-5. GASKET : SILICONE
  - 1-6. CLAMP RING : PA66 ⚠
  - 1-7. SEAL : SILICONE
  - 1-8. SEALING NUT : PA66
- FINISH :
  - 2-1. CONTACT : GOLD FLASH PLATED.
- ELECTRICAL SPECIFICATION :
  - 3-1. Rated current : 2A
  - 3-2. Rated Voltage : 250V
  - 3-3. Water proof : IP67
- Environmental :
  - 4-1. Operation Temperature : -40℃~105℃

DRAWN	Emily Suen	APP'D	Ku Chou	UNIT	mm	TOLERANCE		TITLE	WP FEMALE (FEMALE PIN) C SIZE ASSEMBLY TYPE(LOCK)-2A			SHEET	
CHK'D	Ku Chou			SCALE	1:1	.x ±0.20 .xx ±0.10 .xxx ±0.05 .xxxx ±0.03 ANGULAR ±1°		PART NO.	SEE TABLE A	DWG NO.	QC8590	VERSION	

NIAN YEONG ENTERPRISE  
年永實業有限公司