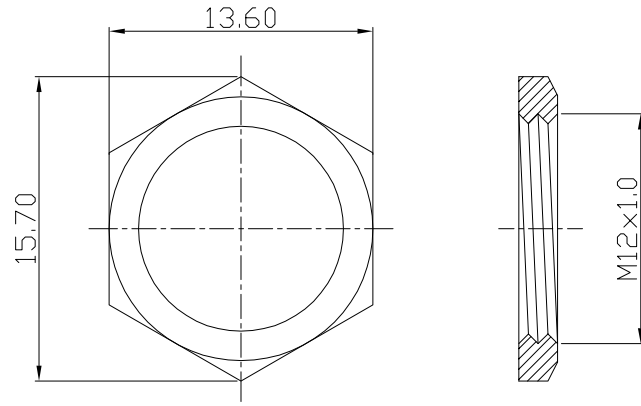
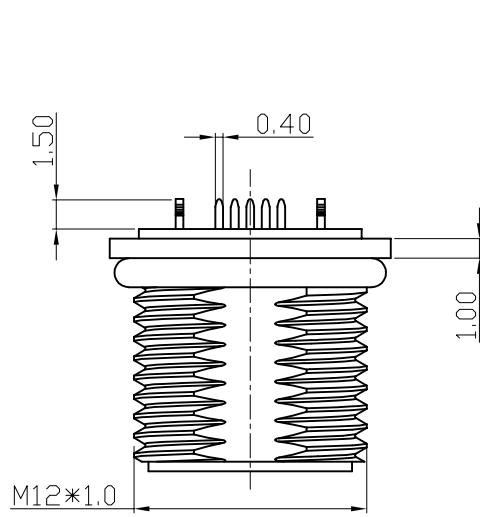


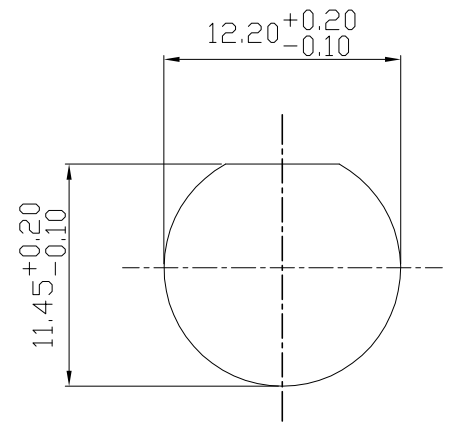
This document is the property of Nian-Yeong Corporation and is delivered on the express condition that it is not to be disclosed, reproduced or used, in whole or in part, for manufacture or sale by anyone other than Nian-Yeong Corporation without its prior consent, and that no right is granted to disclose or to use any information in this document.

CUSTOMER DRAWING

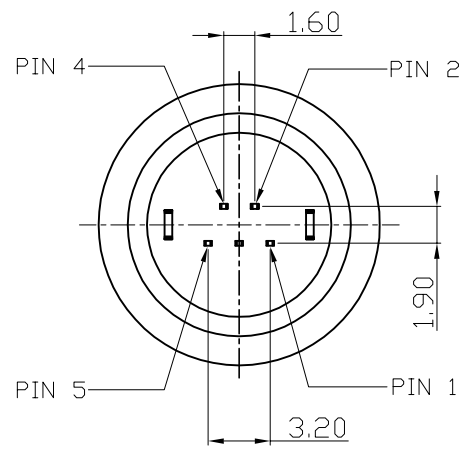
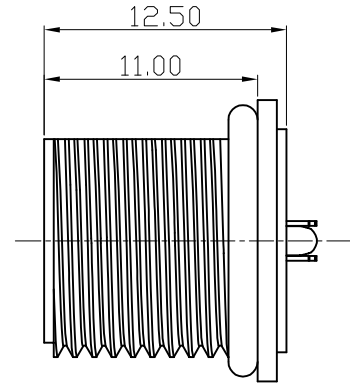
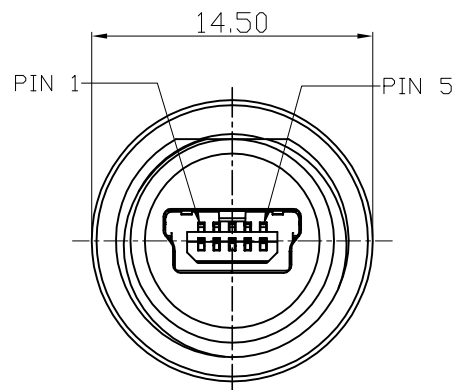
REV.	DESCRIPTION	APPROVED BY	DATE	ECN NO.
A	RELEASE	Fido Weng	22/11/10*	
B				
C				



NUT



PUT OUT



1. MATERIAL :
 - 1-1 . HOUSING ; LCP UL94V-0 ; COLOR ; BLACK
 - 1-2 . CONTACT ; PHOSPHOR BRONZE
 - 1-3 . SHELL ; BRASS
 - 1-4 . USB BODY ; PBT UL94V-0 ; COLOR ; BLACK
- 2 . PARTS
 - 2-1 . EXTERNAL NUT ; PBT UL94V-0 ; COLOR ; BLACK
 - 2-2 . O-RING ; EPDM (1.5*9.5) ; COLOR ; BLACK.
- 3 . PLATING
 - 3-1 . CONTACT ; GOLD PLATING ON CONTACT AREA
BRIGHT TIN ON SOLDER AREA
 - 3-2 . SHELL ; NICKEL PLATING ON OVER ALL
4. ELECTRICAL SPECIFICATION ;
 - 4-1. WATERPROOF ; IP67
 - 4-2. RATED CURRENT ; 1A
 - 4-3. RATED VOLTAGE ; 30V

DRAWN	Yeh	APP'D	Emily Suen	UNIT	mm	TOLERANCE		TITLE	WATERPROOF MINI USB 5P (F) SCREW TYPE L=11			SHEET	
CHK'D	Emily Suen			SCALE	1:1	.x ±0.20 .xx ±0.10 .xxx ±0.05 .xxxx ±0.03 ANGULA ±1°		PART NO.	MU-05F2-18-11	DWG NO.	QC8536	VERSION	