

This document is the property of Nian-Yeong Corporation and is delivered on the express condition that it is not to be disclosed, reproduced or used, in whole or in part, for manufacture or sale by anyone other than Nian-Yeong Corporation without its prior consent, and that no right is granted to disclose or to use any information in this document.

CUSTOMER DRAWING

REV.	DESCRIPTION	APPROVED BY	DATE	ECN NO.
A	RELEASE	Fido Weng	17/12/19'	
B				
C				

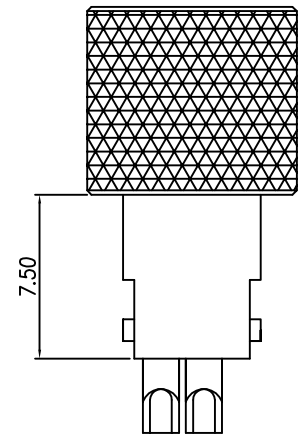
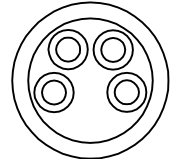
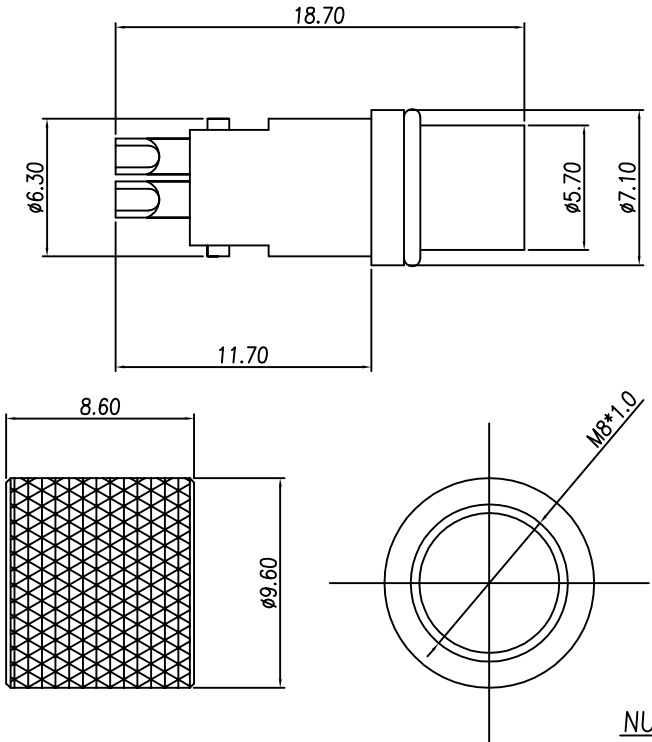


TABLE A/表A

WP-02F2-82-11	WP-03F2-142-11	WP-04F2-254-11

NOTE:

- MATERIAL :
 - 1-1. HOUSING : PBT UL94V-0 ; COLOR : BLACK
 - 1-2. CONTACT : PHOSPHOR BRONZE.
 - 1-3. O-RING : NBR ; COLOR : BLACK
 - 1-4. NUT : BRASS
- FINISH :
 - 2-1. CONTACT :
 - CONTACT AREA : 10 MICRO INCHES MIN. GOLD PLATING
 - SOLDER AREA : GOLD FLASH
 - UNDER PLATE : NICKEL
 - 2-2. NUT : NICKEL PLATED.
- ELECTRICAL SPECIFICATION :
 - 3-1. Rated current : 4A
 - 3-2. Rated voltage : 60V
 - 3-3. Water proof: IP67
- Environmental :
 - 4-1. Operation Temperature : -40℃~85℃

DRAWN	Ku Chou	APP'D	Emily Suen	UNIT	mm	TOLERANCE		NIAN YEONG ENTERPRISE 年永實業有限公司	TITLE	M8-(F) 線端焊線式(螺母L=8.6mm)			SHEET	
CHK'D	Emily Suen	SCALE	1:1	ANGULAR	±1°	PART NO.			SEE TABLE A	DWG NO.	QC9536	VERSION	A	