

This document is the property of Nian-Yeong Corporation and is delivered on the express condition that it is not to be disclosed, reproduced or used, in whole or in part, for manufacture or sale by anyone other than Nian-Yeong Corporation without its prior consent, and that no right is granted to disclose or to use any information in this document.

CUSTOMER DRAWING

REV.	DESCRIPTION	APPROVED BY	DATE	ECN NO.
A	RELEASE	Ku Chou	31/07/18*	
B				
C				

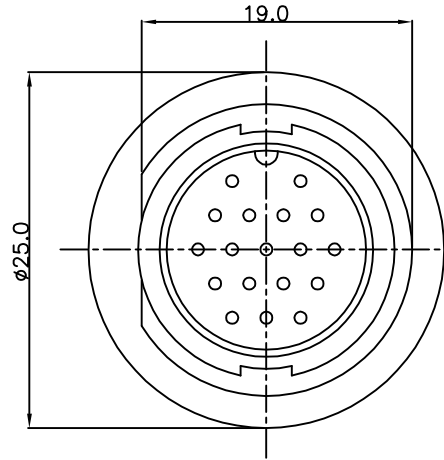
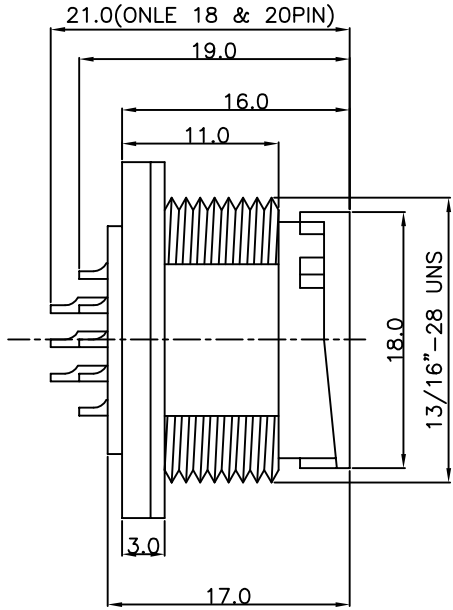
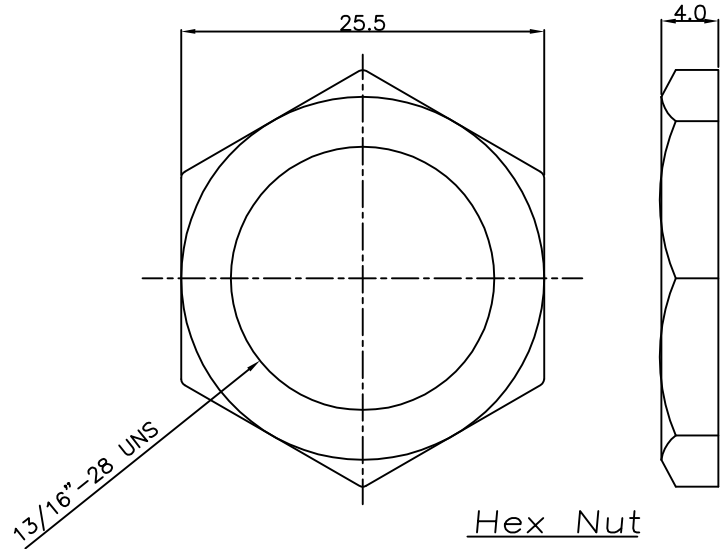
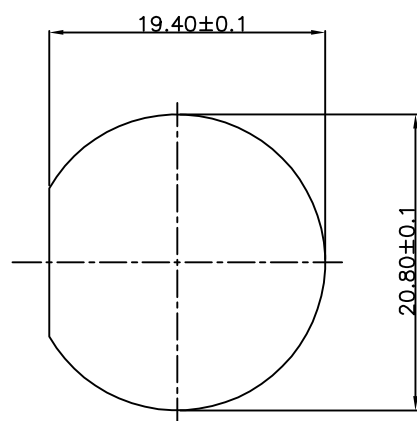


TABLE A

Diagram	Part Number	Pin Count	Finish
	WP-10M2-15-11	10 PIN	
	WP-18M2-16-11 WP-18M2-20-11	18 PIN	
	WP-20M1-01-11	20 PIN	
	WP-18M2-20-11		6u" GOLD PLATED/金6u"
	WP-20M1-01-11		GOLD FLASH PLATED/表金
	WP-18M2-16-11		GOLD FLASH PLATED/表金
	WP-10M2-15-11		GOLD FLASH PLATED/表金
	P/N		FINISH

- MATERIAL :
 - 1-1. HOUSING : PA66
 - 1-2. CONTACT : BRASS
 - 1-3. GASKET : SILICONE
 - 1-4. HEX NUT : PA66
- FINISH :
 - 2-1. CONTACT : SEE TABLE A
- ELECTRICAL SPECIFICATION :
 - 3-1. Rated current : 2A
 - 3-2. Rated Voltage : 250V
 - 3-3. Water proof : IP67
- Environmental :
 - 4-1. Operation Temperature : -40°C~105°C



RECOMMEND PANEL CUT-OUT

Hex Nut

DRAWN	Emily Suen	APP'D	Ku Chou	UNIT	mm	TOLERANCE		NIAN YEONG ENTERPRISE 年永實業有限公司	TITLE	WP C Size(M) Front Lock Solder Type(Lock Bayonet)			SHEET	A
CHK'D	Ku Chou	SCALE	1:1	ANGULA	±1°	PART NO.			SEE TABLE A	DWG NO.	QC8563			