

This document is the property of Nian-Yeong Corporation and is delivered on the express condition that it is not to be disclosed, reproduced or used, in whole or in part, for manufacture or sale by anyone other than Nian-Yeong Corporation without its prior consent, and that no right is granted to disclose or to use any information in this document.

CUSTOMER DRAWING

REV.	DESCRIPTION	APPROVED BY	DATE	ECN NO.
A	RELEASE	Emily Suen	02/10/15'	
B				
C				

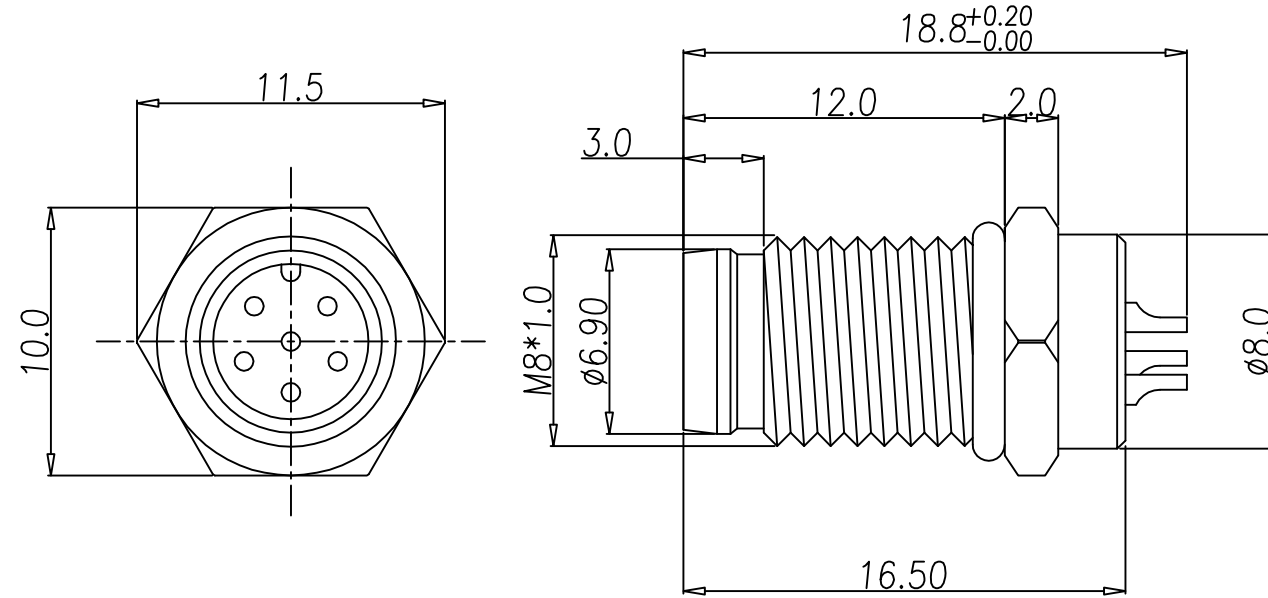
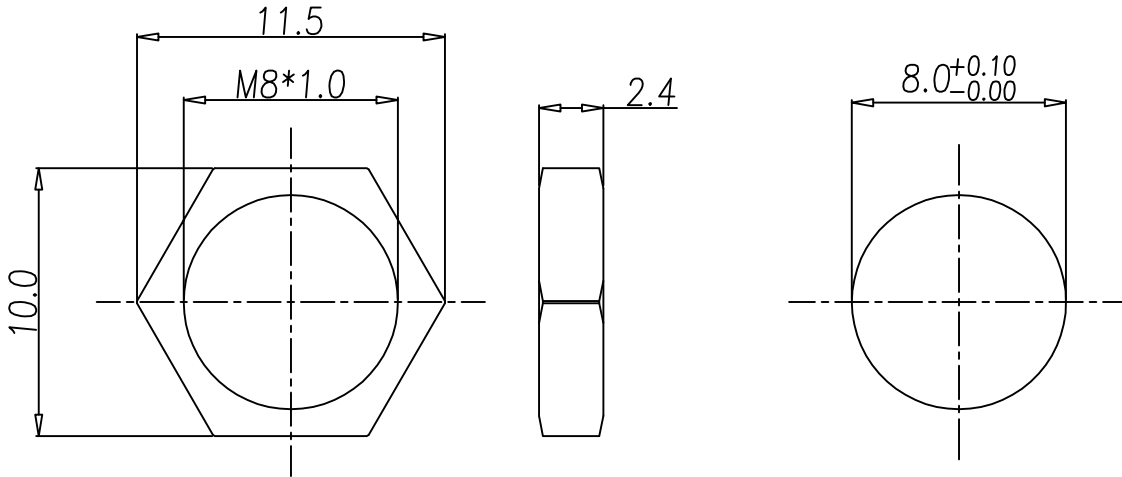


TABLE A

WP-06M2-59-11	WP-05M2-124-11



NUT

RECOMMEND PANEL CUT-OUT

- MATERIAL :
  - HOUSING : PA ; COLOR : BLACK
  - CONTACT : BRASS.
  - SHELL : BRASS
  - O-RING : NBR ; COLOR : BLACK
  - NUT : BRASS.
- FINISH :
  - CONTACT : GOLD 10 MICRO INCHES MIN.
  - SHELL : NICKEL PLATED.
  - NUT : NICKEL PLATED.
- ELECTRICAL SPECIFICATION :
  - Rated current : 2A
  - Rated voltage : 30V
  - Water proof : IP67
- Environmental :
  - Operation Temperature : -40°C~105°C

DRAWN	Ku Chou	APPEND	Emily Suen	UNIT	mm	TOLERANCE		TITLE	防水頭 M8 (M) 前鎖板M8*1.0 焊線式			SHEET	
CHOKED	Emily Suen			SCALE	1:1	.x ±0.20 .xx ±0.10 .xxx ±0.05 .xxxx ±0.03 ANGULA ±1°		PART NO.	SEE TABLE A	DWG NO.	QC8236	VERSION	

NIAN YEONG ENTERPRISE  
年永實業有限公司