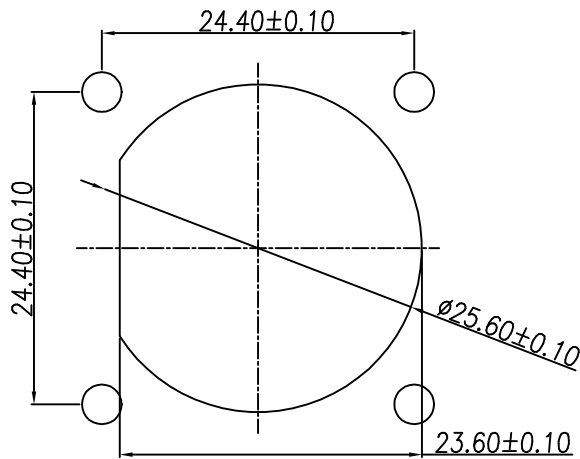
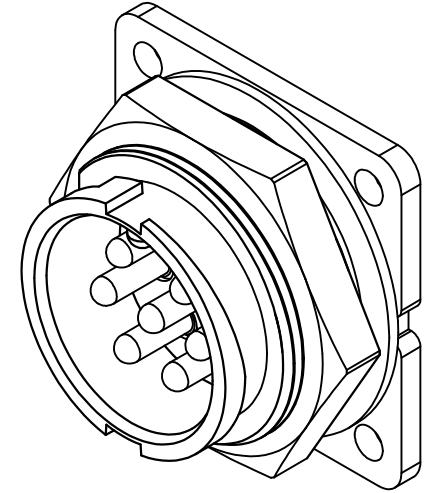
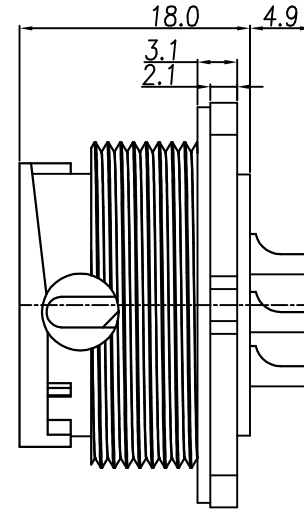
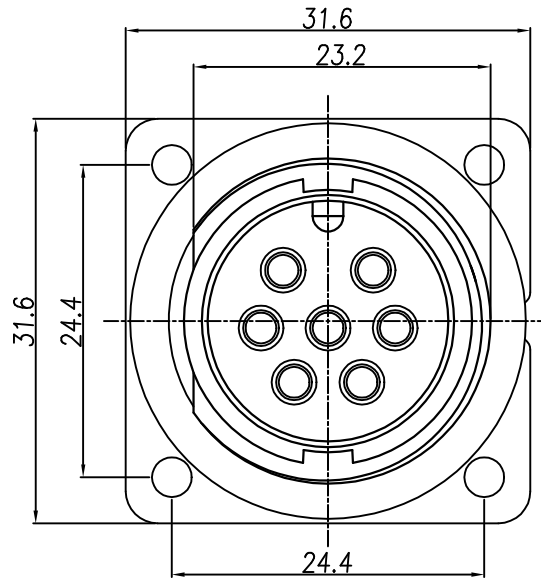


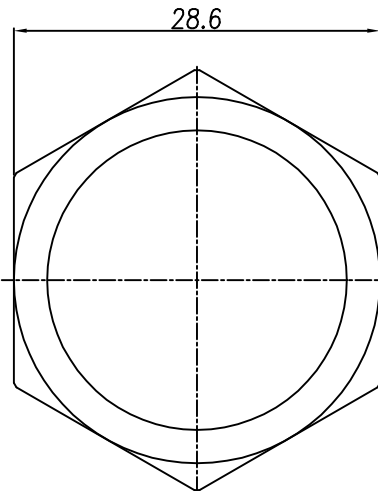
This document is the property of Nian-Yeong Corporation and is delivered on the express condition that it is not to be disclosed, reproduced or used, in whole or in part, for manufacture or sale by anyone other than Nian-Yeong Corporation without its prior consent, and that no right is granted to disclose or to use any information in this document.

CUSTOMER DRAWING

REV.	DESCRIPTION	APPROVED BY	DATE	ECN NO.
A	RELEASE	Ku Chou	02/05/18'	
B				
C				



RECOMMEND PANEL HOLE



Hex Nut



- MATERIAL :
  - 1-1. HOUSING : PA66
  - 1-2. CONTACT : BRASS
  - 1-3. GASKET : SILICONE
  - 1-4. HEX NUT : PA66
- FINISH :
  - 2-1. CONTACT : GOLD FLASH PLATED
- ELECTRICAL SPECIFICATION :
  - 3-1. Rated current : 20A
  - 3-2. Rated Voltage : 300V
- Environmental :
  - 4-1. Operation Temperature : -40°C~105°C

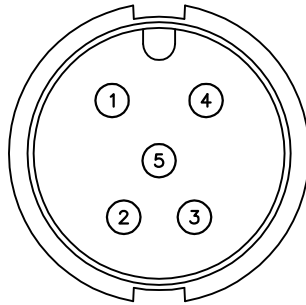
DRAWN	Yeh Chou	APP'D	KU Chou	UNIT	mm	TOLERANCE		TITLE	D SIZE (M) 快鎖杯口屏線式 (方型插板)-20A			SHEET
CHK'D	KU Chou			SCALE	1:1	.x ±0.20 .xx ±0.10 .xxx ±0.05 .xxxx ±0.03 ANGULA ±1°		PART NO.	SEE TABLE A	DWG NO.	QC8388	VERSION
								年永實業有限公司				A

This document is the property of Nian-Yeong Corporation and is delivered on the express condition that it is not to be disclosed, reproduced or used, in whole or in part, for manufacture or sale by anyone other than Nian-Yeong Corporation without its prior consent, and that no right is granted to disclose or to use any information in this document.

# CUSTOMER DRAWING

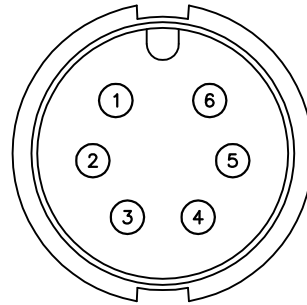
REV.	DESCRIPTION	APPROVED BY	DATE	ECN NO.
A	RELEASE	KU Chou	02/05/18'	
B	ADD PART NO.	Emily Suen	09/07/18'	
C				

TABLE A



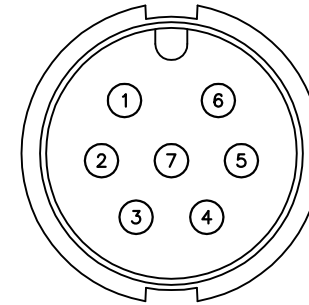
5P

WP-05M2-126-11



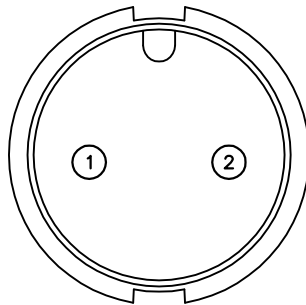
6P

WP-06M2-74-11

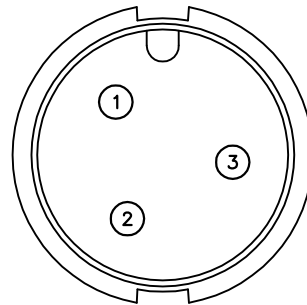


7P

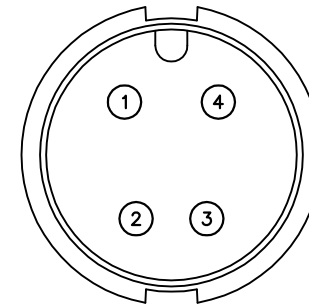
WP-07M2-10-11



2P



3P



4

DRAWN	Yeh Chou	APP'D	KU Chou	UNIT	mm	TOLERANCE	 <b>NIAN YEONG ENTERPRISE</b> 年永實業有限公司	TITLE	D SIZE (M) 快鎖杯口焊線式 (方型槽板)-20A			SHEET	2/2
CHK'D	KU Chou			SCALE	1:1	.x ±0.20 .xx ±0.10 .xxx ±0.05 .xxxx ±0.03 ANGULA ±1°		PART NO.	SEE TABLE A	DWG NO.	QC8388	VERSION	B