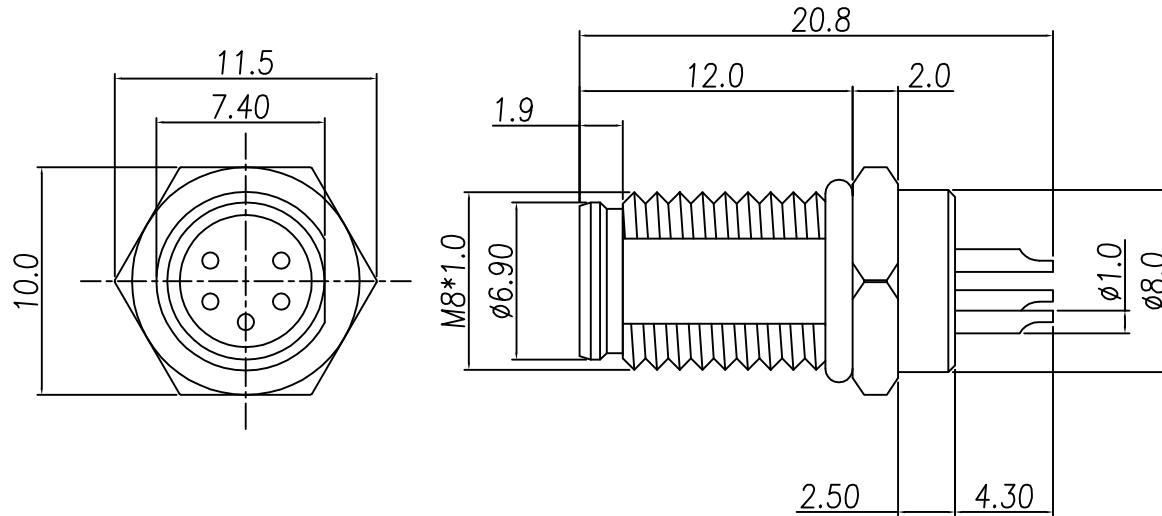


This document is the property of Nian-Yeong Corporation and is delivered on the express condition that it is not to be disclosed, reproduced or used, in whole or in part, for manufacture or sale by anyone other than Nian-Yeong Corporation without its prior consent, and that no right is granted to disclose or to use any information in this document.

CUSTOMER DRAWING

| REV. | DESCRIPTION | APPROVED BY | DATE | ECN NO. |
|------|--------------|-------------|-----------|---------|
| A | RELEASE | Emily Suen | 26/04/17* | |
| B | ADD PART NO. | Emily Suen | 13/03/18* | |
| C | ADD PART NO. | Emily Suen | 03/05/18* | |



- MATERIAL :
 - 1-1. HOUSING : PBT ; COLOR : BLACK
 - 1-2. CONTACT : BRASS.
 - 1-3. SHELL : BRASS
 - 1-4. O-RING : NBR ; COLOR : BLACK
 - 1-5. NUT : BRASS.
- FINISH :
 - 2-1. CONTACT : SEE TABLE A
 - 2-2. SHELL : NICKEL PLATED.
 - 2-3. NUT : NICKEL PLATED.
- ELECTRICAL SPECIFICATION :
 - 3-1. Rated current : 2A
 - 3-2. Rated voltage : 30V
 - 3-3. Water proof : IP67
- Environmental :
 - 4-1. Operation Temperature : -40℃~105℃

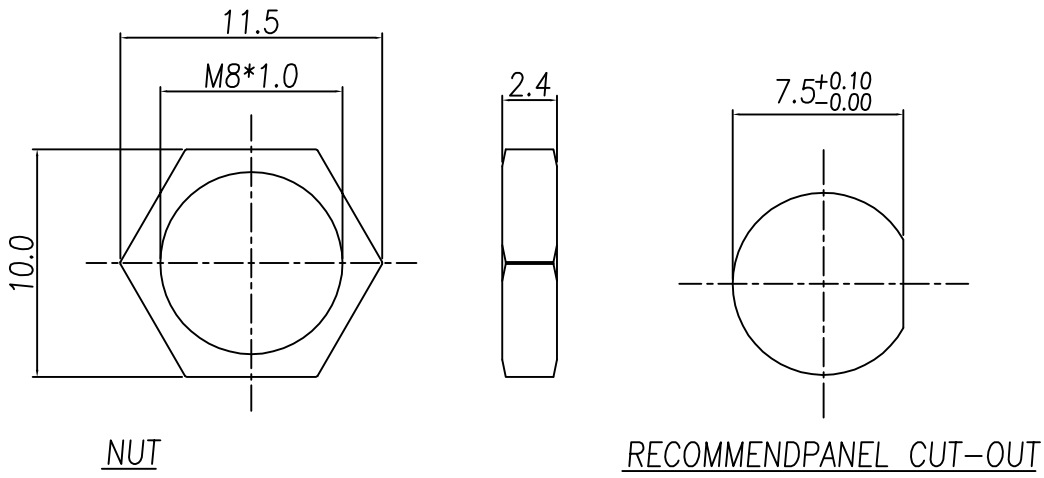


TABLE A

| | |
|----------------------------------|---------------------------|
| | |
| WP-05M2-123-11 WP-05M2-115-11 | WP-06M2-61-11 |
| A WP-06M2-61-11 | 10u" GOLD PLATED / 鍍金10u" |
| A WP-05M2-123-11 | GOLD FLASH PLATED / 鍍表金 |
| WP-05M2-115-11 | 10u" GOLD PLATED / 鍍金10u" |
| PART No. | FINISH |

| | | | | | | | | | | | | | |
|--------|------------|--------|------------|--|----------|-----------|--|-------------|------------------------------|--------|---------|-------|--|
| DRAWN | Ku Chou | APPEND | Emily Suen | UNIT | mm | TOLERANCE | | TITLE | 防水頭 M8 (M) 前鎖板M8*1.0焊線式(銑單邊) | | | SHEET | |
| CHOKED | Emily Suen | SCALE | 1:1 | .x ±0.20 .xx ±0.10 .xxx ±0.05 .xxxx ±0.03 ANGULA ±1° | 年永實業有限公司 | PART NO. | | SEE TABLE A | DWG NO. | QC7803 | VERSION | C | |