

This document is the property of Nian-Yeong Corporation and is delivered on the express condition that it is not to be disclosed, reproduced or used, in whole or in part, for manufacture or sale by anyone other than Nian-Yeong Corporation without its prior consent, and that no right is granted to disclose or to use any information in this document.

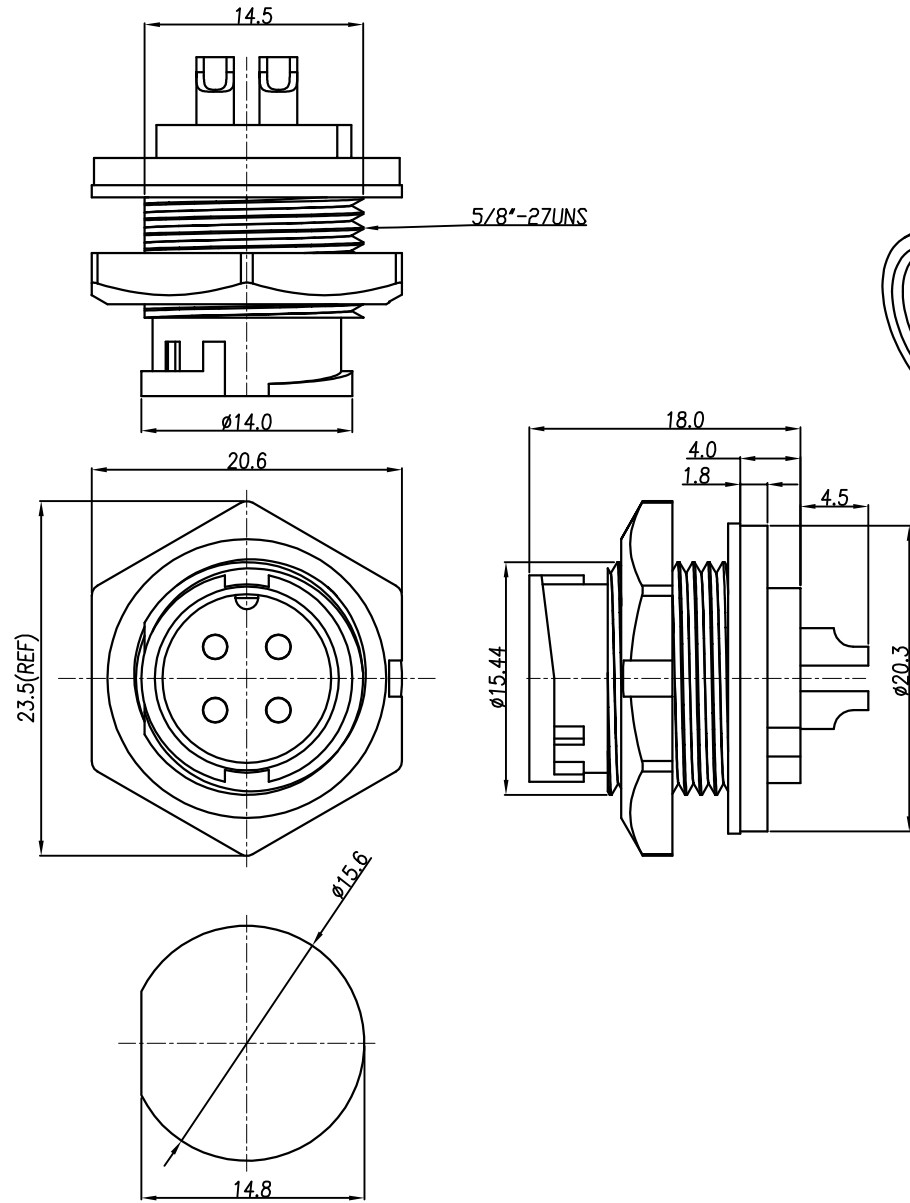
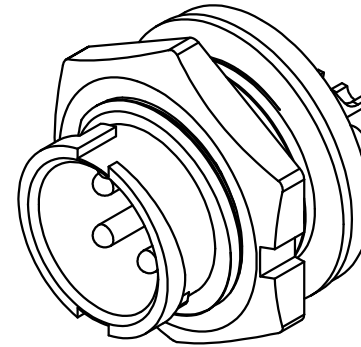
CUSTOMER DRAWING

| REV. | DESCRIPTION | APPROVED BY | DATE | ECN NO. |
|------|-------------|-------------|-----------|---------|
| A | RELEASE | Ku Chou | 25/06/18' | |
| B | | | | |
| C | | | | |

TABLE A

| | | |
|---------------|---------------|----------------|
| | | |
| 2 PIN | 3 PIN | 4 PIN |
| WP-02M2-51-11 | WP-03M2-86-11 | WP-04M2-156-11 |

PIN ASSIGMENTS
FRONT VIEW



RECOMMENDED PANEL CUT-OUT

- MATERIAL :
 - HOUSING : PA66
 - CONTACT : BRASS
 - GASKET : SILICONE
 - HEX NUT : PA66
- FINISH :
 - CONTACT : GOLD FLASH PLATED.
- ELECTRICAL SPECIFICATION :
 - Rated current : 10A
 - Rated voltage : 250V
 - Water proof : IP67
- Environmental :
 - Operation Temperature : -40°C~105°C

| | | | | | | | | | | | | | |
|-------|------------|-------|---------|-------|-----|--|--|----------|----------------------------|---------|--------|---------|-------|
| DRAWN | Emily Suen | APP'D | Ku Chou | UNIT | mm | TOLERANCE | NIAN YEONG ENTERPRISE 年永實業有限公司 | TITLE | WP (M) (LOCK) B SIZE 前鎖螺絲式 | | | SHEET | A |
| CHK'D | Ku Chou | | | SCALE | 1:1 | .x ±0.20 .xx ±0.10 .xxx ±0.05 .xxxx ±0.03 ANGULA ±1° | | PART NO. | SEE TABLE A | DWG NO. | QC8428 | VERSION | |