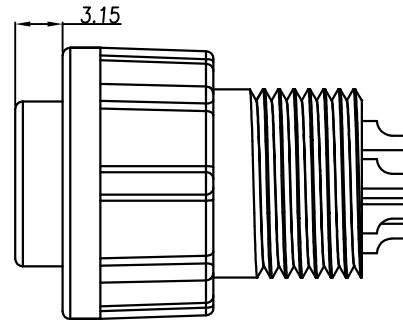
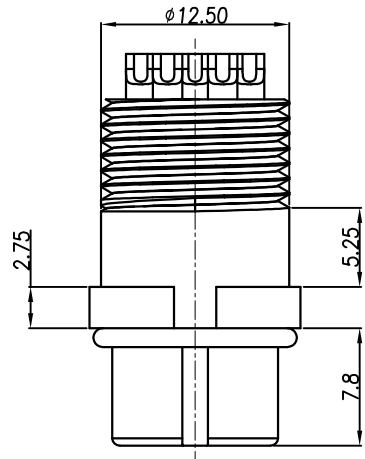


This document is the property of Nian-Yeong Corporation and is delivered on the express condition that it is not to be disclosed, reproduced or used, in whole or in part, for manufacture or sale by anyone other than Nian-Yeong Corporation without its prior consent, and that no right is granted to disclose or to use any information in this document.

CUSTOMER DRAWING

REV.	DESCRIPTION	APPROVED BY	DATE	ECN NO.
A	RELEASE	Ku Chou	25/06/18*	
B				
C				



ASS'Y

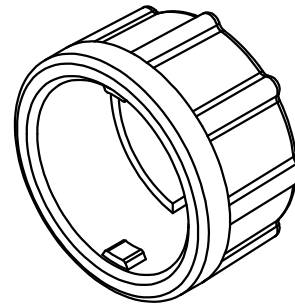
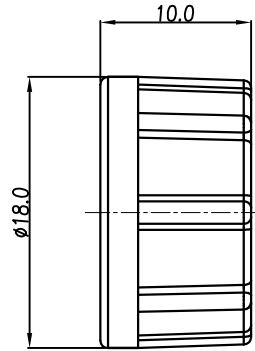
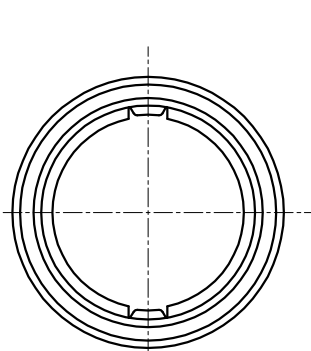
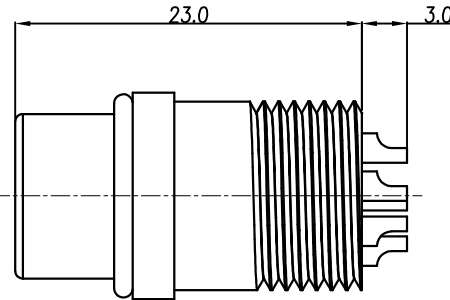
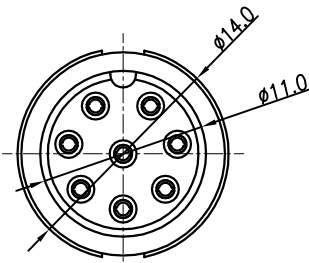


TABLE A

6 PIN	7 PIN	8 PIN	
WP-06F2-61-11	WP-07F2-08-11	WP-08F2-95-11	
2 PIN	3 PIN	4 PIN	5 PIN
WP-02F2-49-11	WP-03F2-89-11	WP-04F2-188-11	WP-05F2-146-11

PIN ASSIGMENTS
FRONT VIEW

- MATERIAL :
 - HOUSING : PA66
 - CONTACT : BRASS
 - O-RING : SILICONE
 - LOCK NUT : PA66
- FINISH :
 - CONTACT : GOLD FLASH PLATED.
- ELECTRICAL SPECIFICATION :
 - Rated current : 5A
 - Rated voltage : 250V
 - Water proof : IP67
- Environmental :
 - Operation Temperature : -20°C~80°C

DRAWN	APP'D	UNIT	TOLERANCE	TITLE	PART NO.	SHEET
Emily Suen	Ku Chou	mm	.x ±0.20 .xx ±0.10 .xxx ±0.05 .xxxx ±0.03 ANGULA ±1°	WP (F) (LOCK) B SIZE 焊線式	SEE TABLE A	1
CHK'D		SCALE		NIAN YEONG ENTERPRISE 年永實業有限公司	DWG NO. QC8411	VERSION A