

This document is the property of Nian-Yeong Corporation and is delivered on the express condition that it is not to be disclosed, reproduced or used, in whole or in part, for manufacture or sale by anyone other than Nian-Yeong Corporation without its prior consent, and that no right is granted to disclose or to use any information in this document.

CUSTOMER DRAWING

REV.	DESCRIPTION	APPVL. BY	DATE	ECN NO.
A	RELEASE	Ku Chou	06/06/16*	
B				
C				

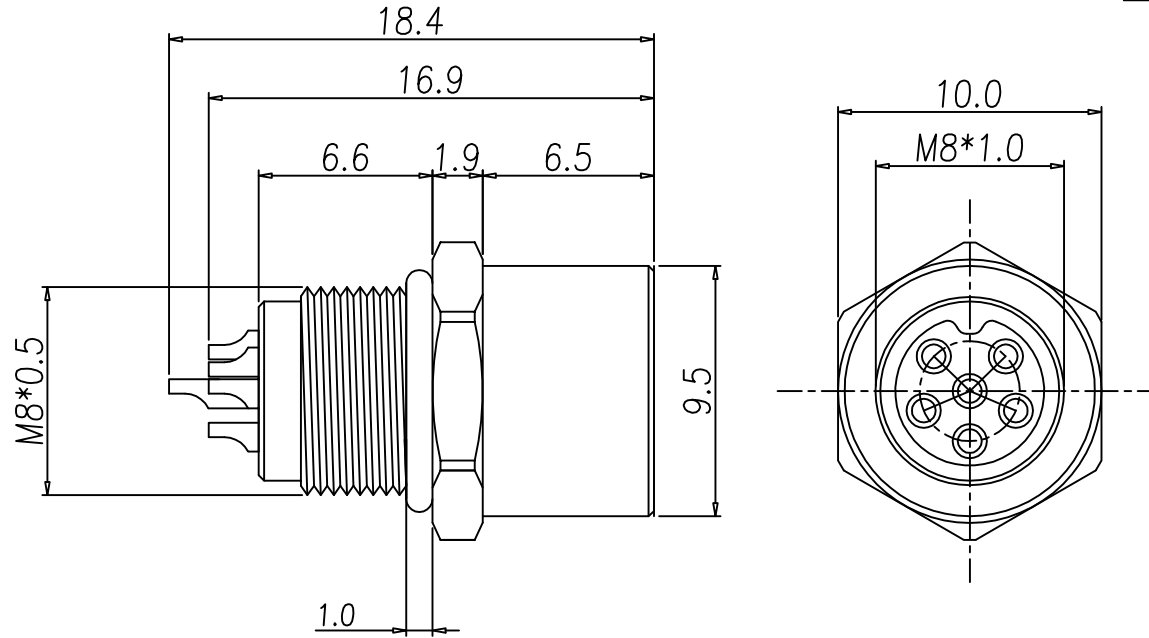
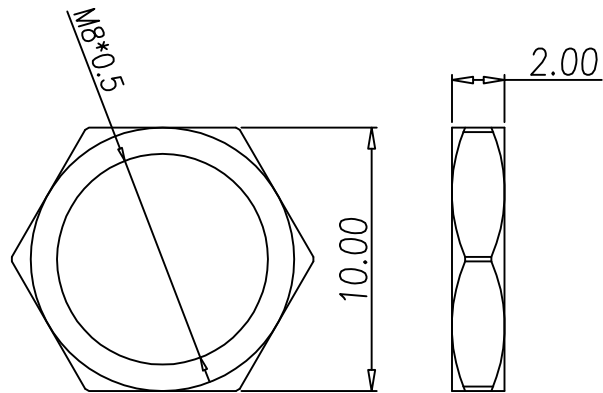
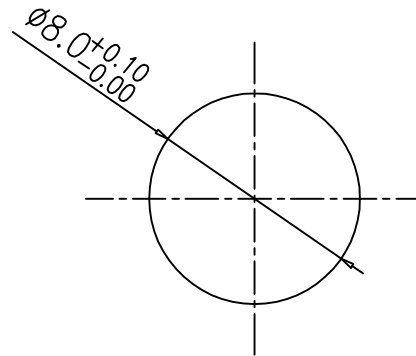


TABLE A

WP-06F2-48-11	WP-05F2-120-11



NUT



RECOMMEND PANEL CUT-OUT

NOTE:

- MATERIAL :
 - HOUSING : PA66 ; COLOR : BLACK
 - CONTACT : BRASS.
 - SHELL : BRASS.
 - NUT : BRASS.
 - O-RING : EPDM ; COLOR : BLACK
- FINISH :
 - CONTACT : GOLD FLASH.
 - SHELL : NICKEL PLATED.
 - NUT : NICKEL PLATED.
- ELECTRICAL SPECIFICATION :
 - Rated current : 2A
 - Rated Voltage : 30V
 - Water proof : IP67
- Environmental :
 - Operation Temperature : -40°C~105°C

DRAWN	Mark Kao	APP'D	Ku Chou	UNIT	mm	TOLERANCE		TITLE	M8 (F) 後鑽螺絲式(梅花型92°)			SHEET
CHK'D	Emily Suen			SCALE	1:1	.x ±0.20 .xx ±0.10 .xxx ±0.05 .xxxx ±0.03 ANGULA ±1°		PART NO.	SEE TABLE A	DWG NO.	QC7515	VERSION
								年永實業有限公司				A