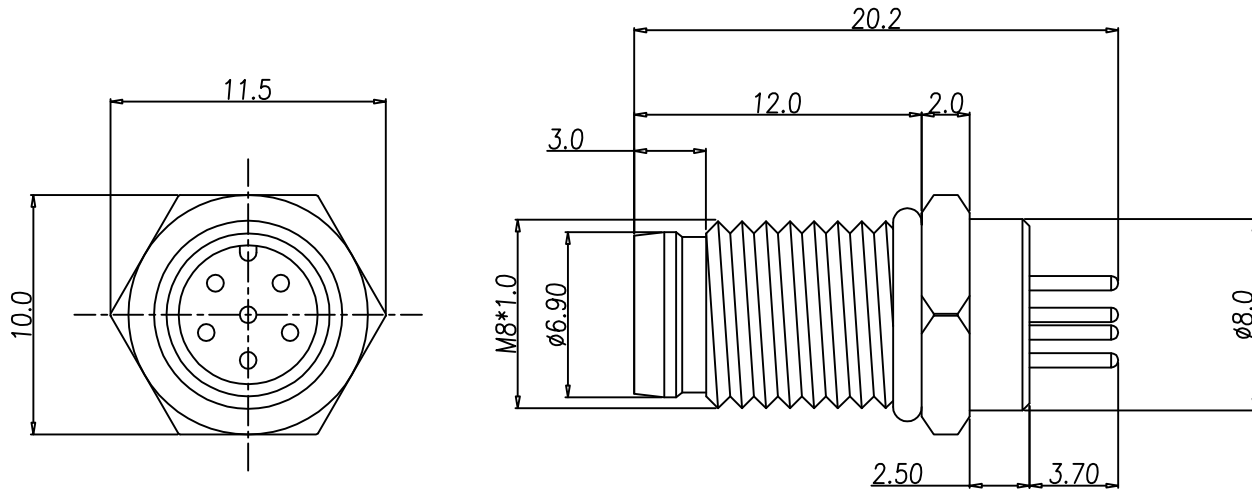


This document is the property of Nian-Yeong Corporation and is delivered on the express condition that it is not to be disclosed, reproduced or used, in whole or in part, for manufacture or sale by anyone other than Nian-Yeong Corporation without its prior consent, and that no right is granted to disclose or to use any information in this document.

CUSTOMER DRAWING

REV.	DESCRIPTION	APPROVED BY	DATE	ECN NO.
A	RELEASE	Emily Suen	05/10/15*	
B				
C				



- MATERIAL :
 - HOUSING : PA ; COLOR : BLACK
 - CONTACT : BRASS.
 - SHELL : BRASS
 - O-RING : NBR ; COLOR : BLACK
 - NUT : BRASS.
- FINISH :
 - CONTACT : SEE TABLE A
 - SHELL : NICKEL PLATED.
 - NUT : NICKEL PLATED.
- ELECTRICAL SPECIFICATION :
 - Rated current : 2A
 - Rated voltage : 30V
 - Water proof : IP67
- Environmental :
 - Operation Temperature : -40°C~105°C

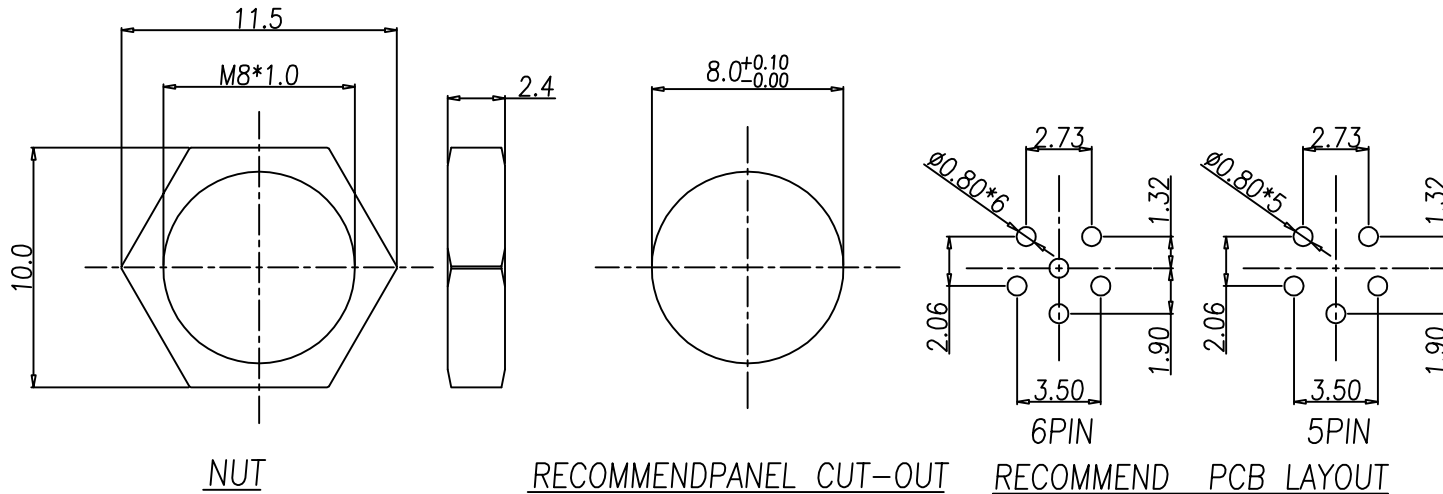


TABLE A

6PIN		5PIN	
WP-06M3-07-11		WP-05M3-14-11	
WP-06M3-02-11		WP-05M3-04-11	
WP-06M3-07-11	GOLD FLASH		
WP-05M3-14-11	GOLD FLASH		
WP-06M3-02-11	GOLD 10u"		
WP-05M3-04-11	GOLD 10u"		
PART NO	FINISH		

DRAWN	Ku Chou	APPEND	Emily Suen	UNIT	mm	TOLERANCE			TITLE	防水頭 M8 (M) 前鎖板 M8*1.0 DIP式			SHEET	
CHOKED	Emily Suen			SCALE	1:1	.x ±0.20 .xx ±0.10 .xxx ±0.05 .xxxx ±0.03 ANGULA ±1°			PART NO.	SEE TABLE A	DWG NO.	QC8198	VERSION	