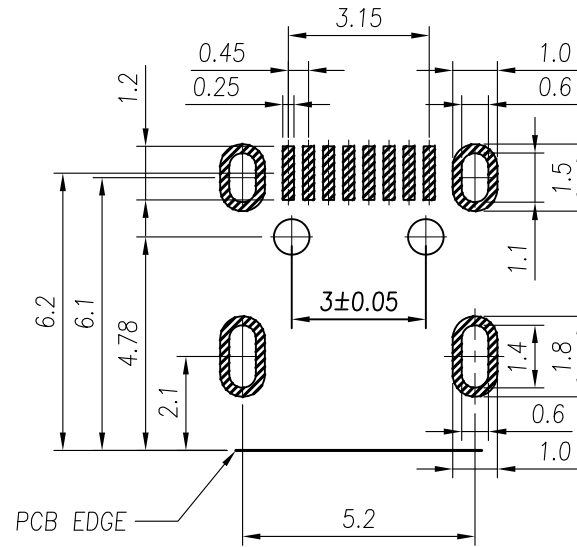
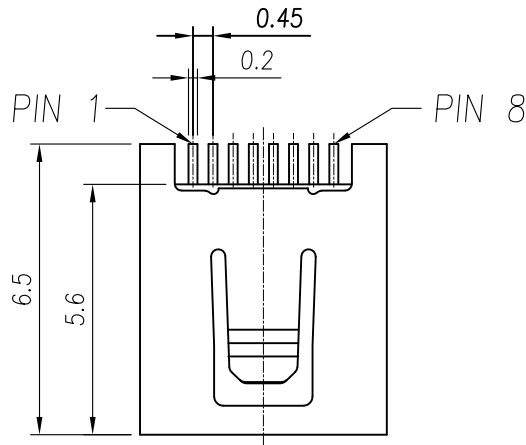


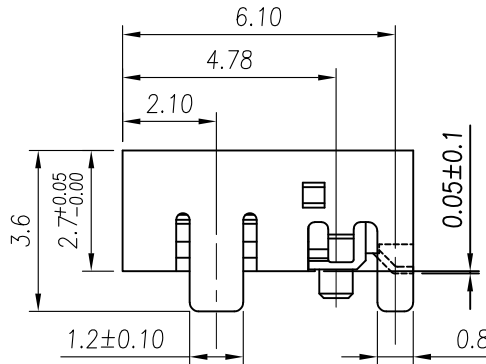
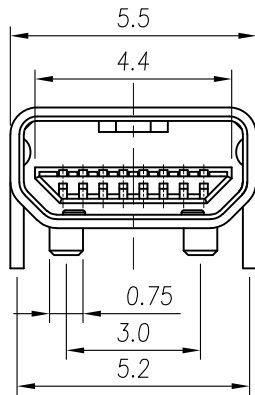
This document is the property of Nian-Yeong Corporation and is delivered on the express condition that it is not to be disclosed, reproduced or used, in whole or in part, for manufacture or sale by anyone other than Nian-Yeong Corporation without its prior consent, and that no right is granted to disclose or to use any information in this document.

CUSTOMER DRAWING

REV.	DESCRIPTION	APPROVED BY	DATE	ECN NO.
A	RELEASE	Fido Weng	12/11/09'	
B	ADD CUT-OFF CURRENT	Fido Weng	04'/08/09	
C	Change Item Name	Fido Weng	09/16/04'	



PCB LAYOUT



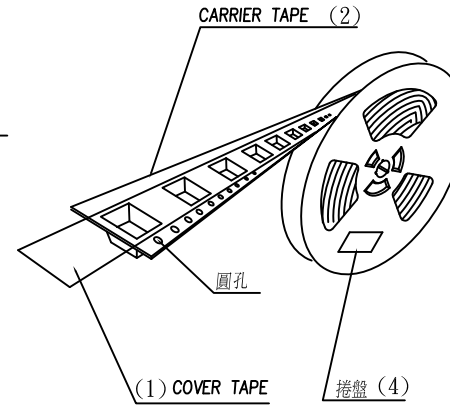
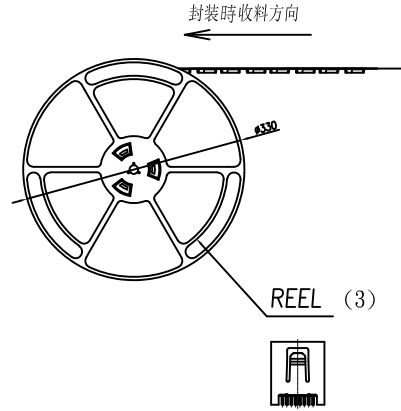
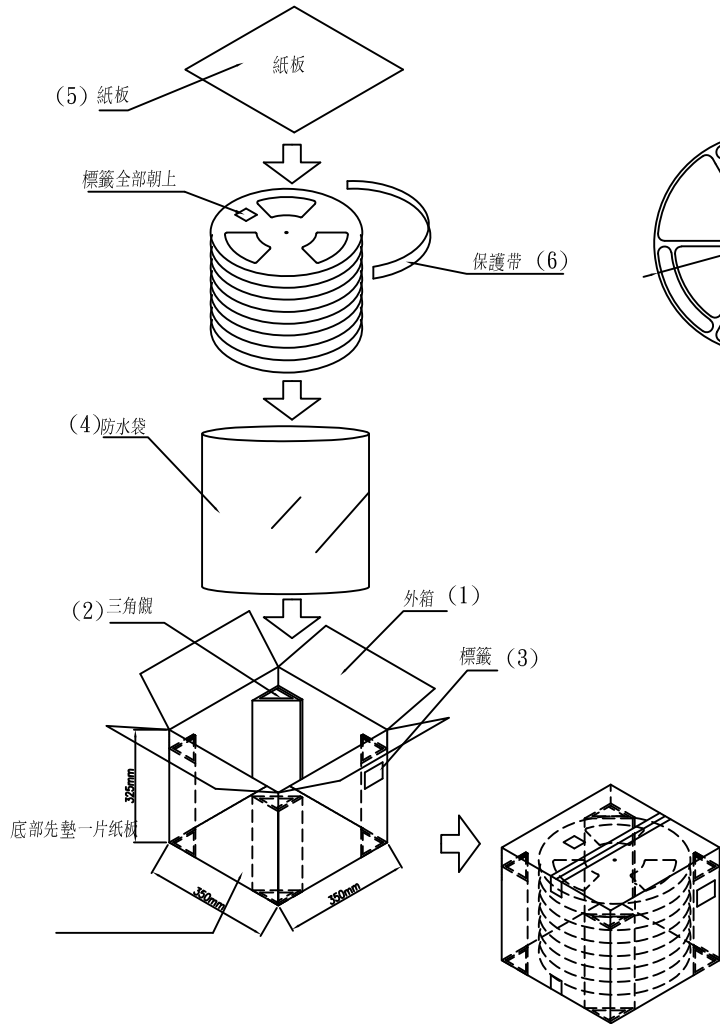
1. MATERIAL :
 - 1-1. HOUSING : LCP ; COLOR : BLACK
 - 1-2. CONTACT : PHOSPHOR BRONZE
 - 1-3. SHELL : PHOSPHOR BRONZE
2. FINISH :
 - 2-1. CONTACT : GOLD 10u"
UNDER PLATE : NICKEL
 - 2-2. SHELL : GOLD FLASH OVER ALL
UNDER PLATE : NICKEL

DRAWN	Mark Kao	APP'D	Ku Chou	UNIT	mm	TOLERANCE		TITLE	MINI USB 8PIN (F) 雙排 DIP 0.9mm			SHEET	1/2
CHK'D	Emily Suen			SCALE	1:1	.x ±0.20 .xx ±0.10 .xxx ±0.05 .xxxx ±0.03 ANGULA ±1°		PART NO.	MU-08F4-20	DWG NO.	QC2206	VERSION	A
							NIAN YEONG ENTERPRISE						
							年永實業有限公司						

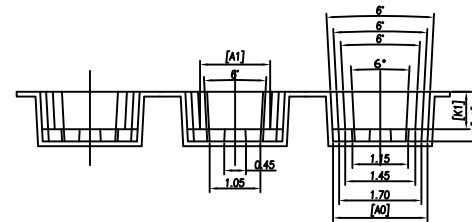
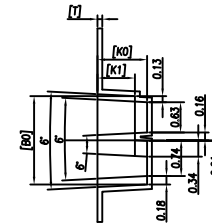
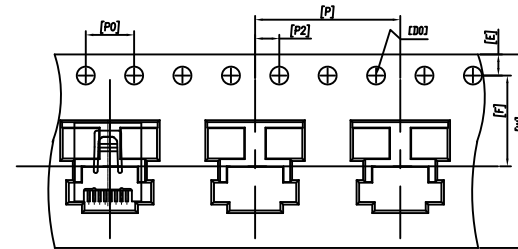
This document is the property of Nian-Yeong Corporation and is delivered on the express condition that it is not to be disclosed, reproduced or used, in whole or in part, for manufacture or sale by anyone other than Nian-Yeong Corporation without its prior consent, and that no right is granted to disclose or to use any information in this document.

CUSTOMER DRAWING

REV.	DESCRIPTION	APPROVED BY	DATE	ECN NO.
A	RELEASE	Fido Weng	12/11/09'	
B	ADD CUT-OFF CURRENT	Fido Weng	04'/08/09	
C	Change Item Name	Fido Weng	09/16/04'	



- 封裝規格:
1. 外箱底部先墊一片紙板.
 2. 外箱四周內角各放置一個三角觀.
 3. 把14捲封裝好的產品平放進防水袋,再一起平放進外箱.
 4. 上層放一片紙板.
 5. 一個紙箱可以裝14捲.
 6. 每捲1200pcs, 每箱16800pcs.



V	16.00 ±0.30	T	0.40±0.05	Po	4.00±0.10	Ao	7.80±0.10	A1	5.80±0.10
F	7.50±0.10	Do	Ø1.50 ±0.10	P2	2.00±0.10	Bo	7.30±0.10	B1	
E	1.75±0.10	P	12.00±0.10	D1		Ko	4.10±0.10	K1	3.40±0.10

DRAWN	Mark Kao	APP'D	Ku Chou	UNIT	mm	TOLERANCE	TITLE			SHEET	
CHK'D	Emily Suen			SCALE	1:1	.x ±0.20 .xx ±0.10 .xxx ±0.05 .xxxx ±0.03 ANGULA ±1°	MINI USB 8PIN (F) 雙排接口 DIP長0.9mm 年永實業有限公司			2/2	
							PART NO.	MU-08F4-20	DWG NO.	QC2206	VERSION A