

This document is the property of Nian-Yeong Corporation and is delivered on the express condition that it is not to be disclosed, reproduced or used, in whole or in part, for manufacture or sale by anyone other than Nian-Yeong Corporation without its prior consent, and that no right is granted to disclose or to use any information in this document.

CUSTOMER DRAWING

REV.	DESCRIPTION	APPVL. BY	DATE	ECN NO.
F	RELEASE	Fido Weng	12/02/09*	
G				
H				

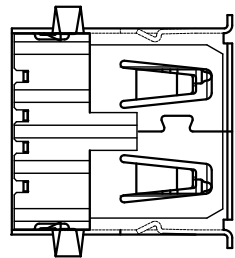
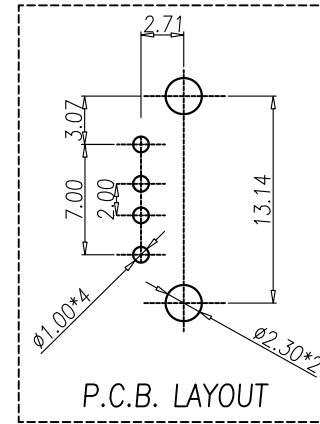
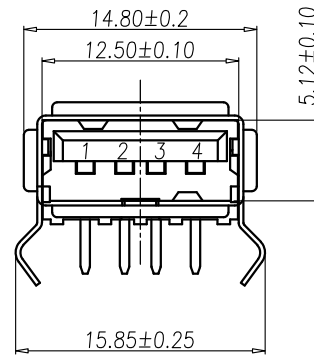
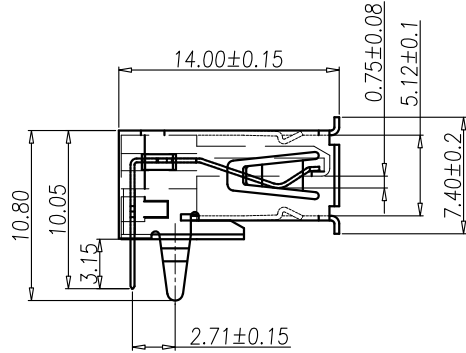
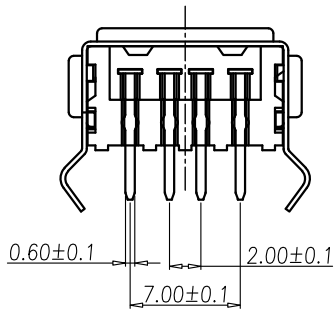
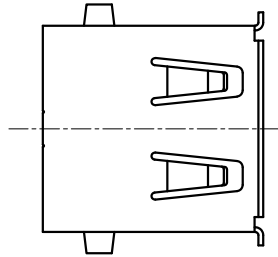


TABLE A

US-04F3-16	USB A(F)DIP TYPE 90°	黑色
US-04F3-02	USB A(F)DIP TYPE 90°	白色
P/N	DESCRIPTION	HOUSING

- MATERIAL :
 - 1-1. HOUSING : PBT UL94V-0 ; COLOR : TABLE A
 - 1-2. CONTACT : BRASS
 - 1-3. SHELL : K7
- FINISH :
 - 2-1. CONTACT : CONTACT AREA : GOLD FLASH
 - 2-2. SHELL : NICKEL

DRAWN	Jen Xie	APP'D	Emily Suen	UNIT	mm	TOLERANCE	NIAN YEONG ENTERPRISE		TITLE	USB A(F)DIP TYPE 90°			SHEET
CHK'D	Emily Suen			SCALE	1:1	.x ±0.20 .xx ±0.10 .xxx ±0.05 .xxxx ±0.03 ANGULA ±1°	年永實業有限公司		PART NO.	US-04F3-02	DWG NO.	QC1472	VERSION F